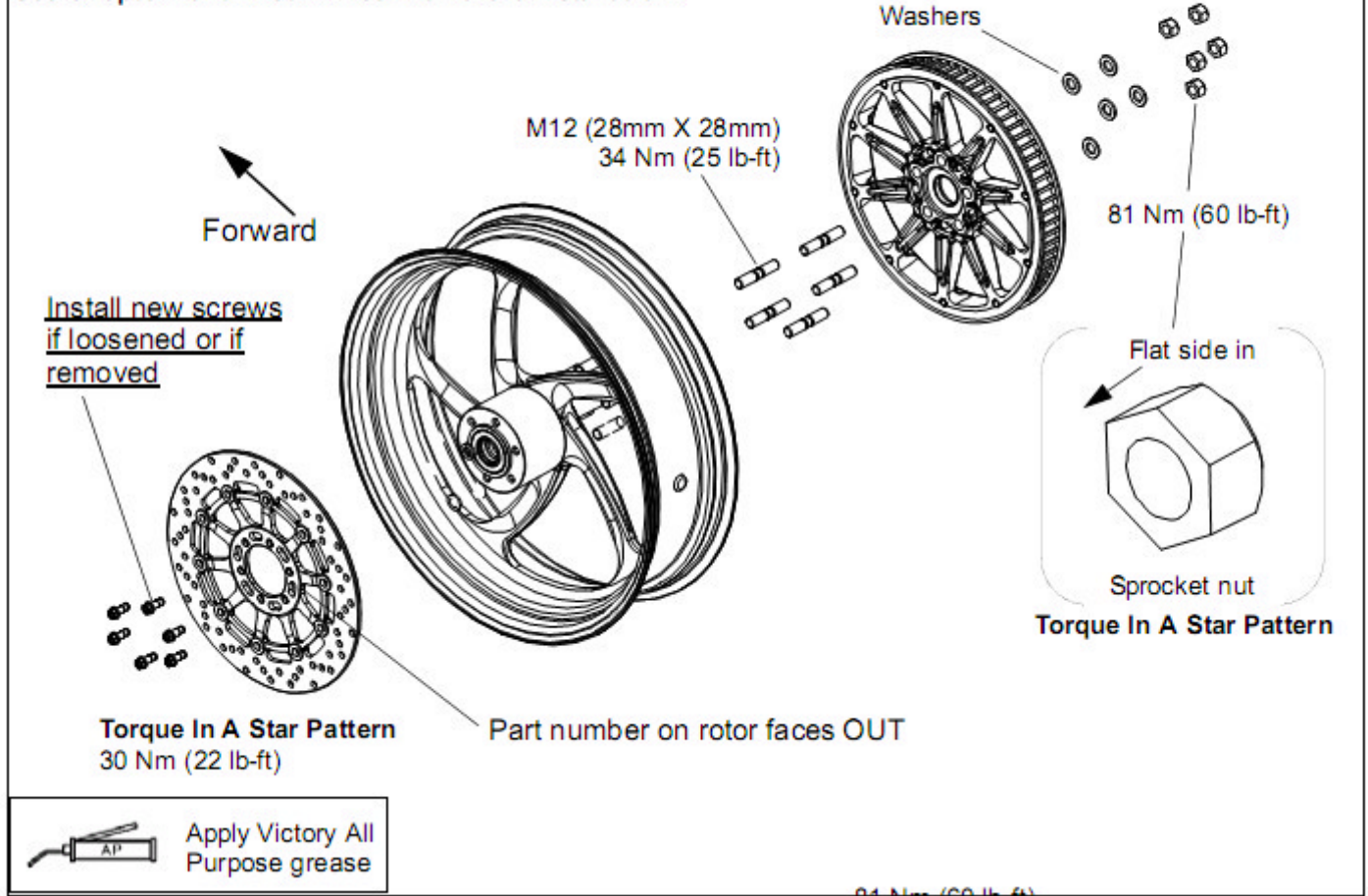


# ASSEMBLY VIEWS & TORQUE VALUES

## DRIVE LINE FASTENER TORQUES

*All surfaces and fasteners must be clean, dry, and oil free before assembly.*

See Chapter 13 for Rear Wheel Removal / Installation.



# THE NEW AMERICAN MOTORCYCLE™

**2008**

**VEGAS® • VEGAS LOW™ • VEGAS 8-BALL™**

**KINGPIN® • KINGPIN® TOUR • KINGPIN 8-BALL™**

**SERVICE MANUAL PN 9921242**

**FOREWORD**