

Owner's manual

DUCATI
998s FINAL EDITION

E



E

Hearty welcome among Ducati fans! Please accept our best compliments for choosing a Ducati motorcycle. We think you will ride your Ducati motorcycle for long journeys as well as short daily trips. Ducati Motor Holding s.p.a wishes you smooth and enjoyable riding.

We are steadily doing our best to improve our "Technical Assistance" service. For this reason, we recommend you to strictly follow the indications given in this manual, especially for motorcycle running-in. In this way, your Ducati motorbike will surely give you unforgettable emotions.

For any servicing or suggestions you might need, please contact our authorized service centres.

Enjoy your ride!



Note

Ducati Motor Holding S.p.A. declines any liability whatsoever for any mistakes incurred in drawing up this manual. The information contained herein is valid at the time of going to print. Ducati Motor Holding S.p.A. reserves the right to make any changes required by the future development of the above-mentioned products.

For your safety, as well as to preserve the warranty, reliability and worth of your motorcycle, use original Ducati spare parts only.



Warning

This manual forms an integral part of the motorcycle and - if a transfer of title occurs - must always be handed over to the new owner.

TABLE OF CONTENTS

E

General 6

Warranty 6

Symbols 6

Useful information for safe riding 7

Carrying the maximum load allowed 8

Identification data 9

Controls 10

Position of motorcycle controls 10

Instrument panel 11

Keys 12

Ignition switch and steering lock 13

Left switch 14

Clutch lever 15

Fast idle lever 16

Right switch 17

Throttle twistgrip 17

Front brake lever 17

Rear brake pedal 18

Gear change pedal 18

Setting the gear change and rear brake pedals 19

Main components and devices 20

Location 20

Tank filler plug 21

Seat catch and helmet hook 22

Side stand 24

Steering damper 25

Front fork adjusters 26

Shock absorber adjusters 28

Changing motorcycle track alignment 29

Directions for use 31

Running-in recommendations 31

Pre-ride checks 32

Starting the engine 33

Moving off 35

Braking 35

Stopping the motorcycle 36

Refueling 36

Parking 37

Tool kit and accessories 38

Main maintenance operations 39

Removing the fairing 39

Cleaning and changing air filters 41

Checking the coolant level 42

Checking brake and clutch fluid level 43

Checking brake pads for wear 44

Lubricating cables and joints 45

Throttle cable adjustment 45

Charging the battery 46

Adjusting headstock angle 47

For United States of America version only 70

Routine maintenance record 79

Chain tension inspection 48
Chain lubrication 48
Replacing bulbs 49
Beam setting 53
Rear view mirror adjustment 54
Tubeless tyres 54
Checking engine oil level 56
Cleaning and replacing the spark plugs 57
Cleaning the motorcycle 58
Storing the bike away 59
Important notes 59

Technical data 60

Overall dimensions 60
Weights 60
Top-ups 61
Engine 62
Timing system 62
Performance data 63
Spark plugs 63
Brakes 63
Transmission 64
Frame 65
Wheels 65
Tyres 65
Suspensions 66
Available colours 66
Electric system 66

E

GENERAL

E

Warranty

In your own interest, and in order to guarantee product reliability, you are strongly advised to refer to a Ducati Dealer or Authorized Workshop for any servicing requiring particular technical expertise. Our highly skilled staff have access to the implements required to perform any servicing job at best, using Ducati original spare parts only as the best guarantee for full interchangeability, smooth running and long life.

All Ducati motorcycles come with a "Warranty Card". However, warranty does not apply to the motorcycles used in competitions. No motorcycle part may be tampered with, altered, or replaced with parts other than original Ducati spare parts during the warranty period, or the warranty will be automatically invalidated.

Symbols

Ducati Motor Holding S.p.A. advises you to read this manual carefully so as to become familiar with your motorcycle. In case of any doubts, please call a Ducati Dealer or Authorized Workshop. The information contained herein will prove useful on your trips - and Ducati Motor Holding S.p.A. wishes you smooth, enjoyable riding - and will help you keep the performance of your motorcycle unchanged for a long time.



Warning

Failure to comply with these instructions may put you at risk and lead to severe injury or death.



Important

Possibility of damaging the motorcycle and/or its components.



Note

Additional information concerning the job being carried out.

The terms **right** and **left** are referred to the motorcycle viewed from the riding position.

Useful information for safe riding



Warning

Read this section before riding your motorcycle.

Accidents are frequently due to inexperience. Always make sure you have your licence with you when riding; you need a valid licence to be entitled to ride your motorcycle.

Do not lend your motorcycle to inexperienced riders or who do not hold a valid licence.

Both rider and pillion passenger must **always** wear suitable gear and a safety helmet.

Wear proper clothing, with no loose items or accessories that may become tangled in the controls or limit your zone of vision.

Never start or run the engine indoors. Exhaust gases are poisonous and may lead to loss of consciousness or even death within a short time.

Both rider and pillion passenger should keep their feet on the footpegs when the motorcycle is in motion.

Always hold the handlebars firmly with both hands so you will be ready for sudden changes of direction or in the road surface. The pillion passenger should **always** hold on to the suitable belt on the rear seat with both hands.

Ride within the law and observe national and local rules. Always respect speed limits where these are posted. However, **always** adjust your speed to the visibility, road and traffic conditions you are riding in.

Always signal your intention to turn or pull to the next

lane in good time using the suitable turn indicators.

Be sure you are clearly visible and do not ride within the blind spot of vehicles ahead.

Be very careful when tackling road junctions, or when riding in the areas near exits from private grounds, car parks or on slip roads to access motorways.

Always turn off the engine when refueling.

Be extremely careful not to spill fuel on the engine or on the exhaust pipe when refueling.

Do not smoke when refueling.

While refueling, you may inhale noxious fuel vapors.

Should any fuel drops be spilled on your skin or clothing, immediately wash with soap and water and change your clothing.

Always remove the key when you leave your motorcycle unattended.

The engine, exhaust pipes, and mufflers stay hot for a long time.



Warning

The exhaust system might be hot, even after engine is switched off; pay particular attention not to touch exhaust system with any body part and do not park the vehicle next to inflammable material (wood, leaves etc.).

Park your motorcycle where no one is likely to hit it and use the side stand.

Never park on uneven or soft ground or your motorcycle may fall over.

Carrying the maximum load allowed

Your motorcycle is designed for long-distance riding, carrying the maximum load allowed in full safety. Even weight distribution is critical to preserving safety features and avoiding trouble when performing sudden manoeuvres or riding on bumpy roads.

Information about carrying capacity

The total weight of the motorcycle in running order including rider, pillion passenger, luggage and additional accessories should not exceed 375 Kg.

Arrange your luggage or heavy accessories in the lowest possible position and close to motorcycle centre.

Be sure to secure the luggage to the supports provided on the motorcycle as firmly as possible. Improperly secured luggage may affect stability.

Never fix bulky or heavy objects to the handlebar or to the front mud guard as this would affect stability and cause danger.

Do not insert any objects you may need to carry into the gaps of the frame as these may foul moving parts.

Make sure the tyres are inflated to the proper pressure indicated at page 54 and that they are in good condition.

Identification data

All Ducati motorcycles have two identification numbers, for frame (fig. 1.1) and engine (fig. 1.2).

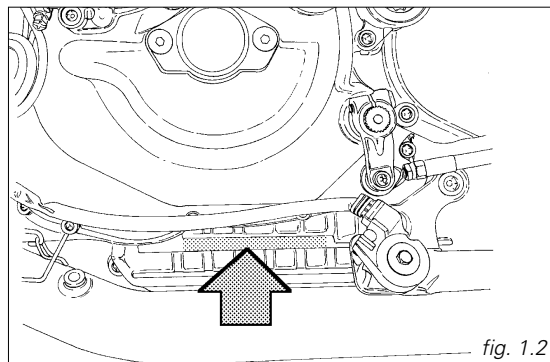
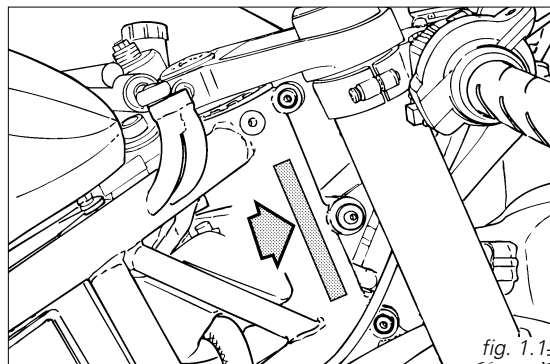
Frame number

Engine number




Note

These numbers identify the motorcycle model and are required when ordering spare parts.



CONTROLS

E  **Warning** This section details the position and function of all the controls you need to drive your motorcycle. Be sure to read this information carefully before you use the controls.

Position of motorcycle controls (fig. 2)

- 1) Instrument panel.
- 2) Key-operated ignition switch and steering lock.
- 3) Left switch.
- 4) Clutch lever.
- 5) Choke lever.
- 6) Right switch.
- 7) Throttle twistgrip.
- 8) Front brake lever.
- 9) Gear change pedal.
- 10) Rear brake pedal.

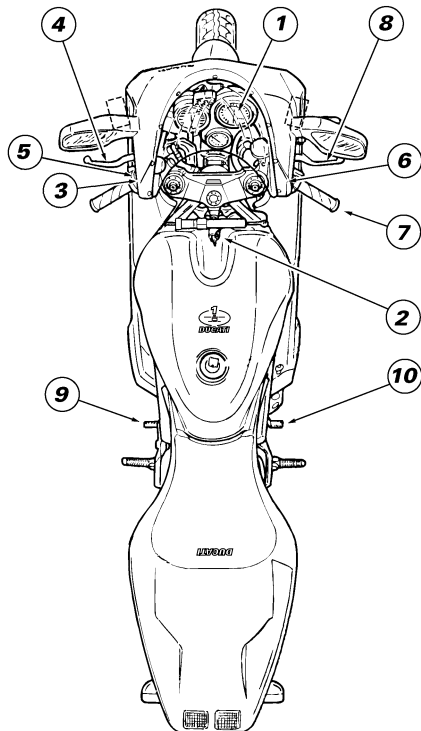


fig. 2