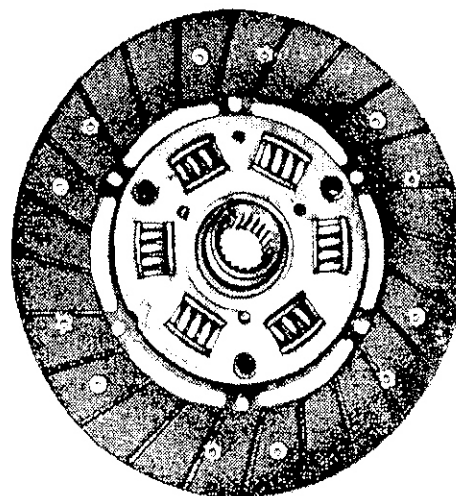
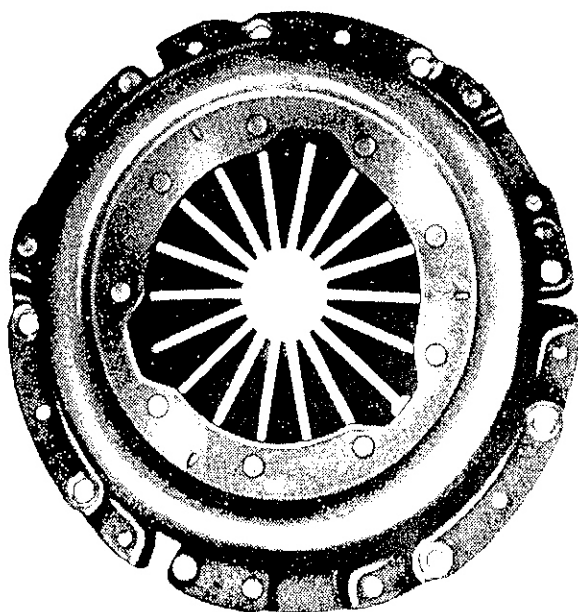


SPECIFICATIONS

Type	single plate, dry	
Release mechanism	diaphragm spring	
Control	mechanical	
Clutch disc	with friction linings	
Lining O. D.	8.307	(215 mm)
Lining I. D.	5.708	(145 mm)
Max. runout of clutch disc linings006	(.15 mm)
Clutch pedal free travel, corresponding to a clearance of .079" (2 mm) between diaphragm spring and release sleeve, about.984	(25 mm)
Travel of diaphragm spring, corresponding to a pressure plate displacement not less than .067" (1.7 mm)315	(8 mm)

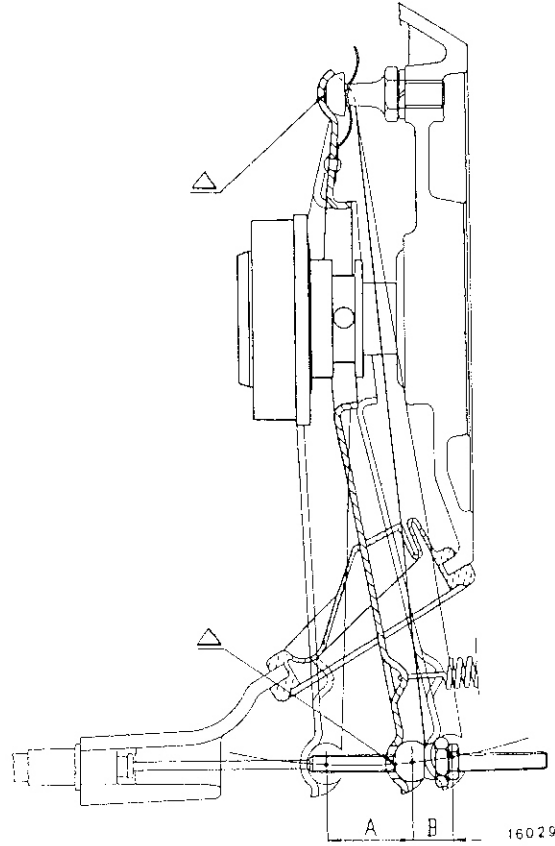
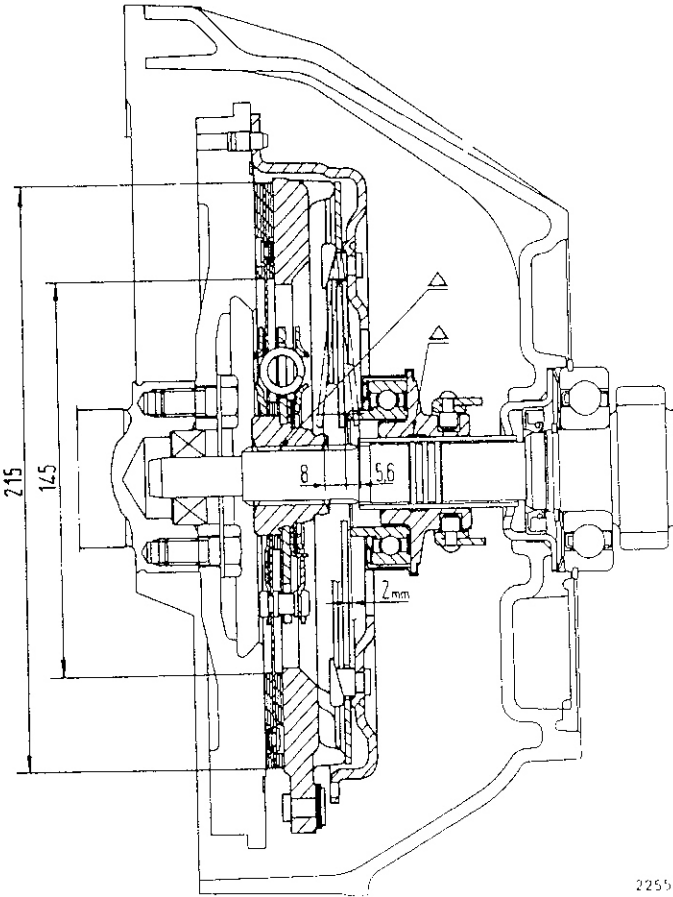
TORQUE SPECIFICATIONS

DESCRIPTION	THREAD (METRIC)	N·m	TORQUE	
			FT. LB.	Kgm
Bolt, clutch to flywheel	M8	29.4	22	3



CLUTCH COVER AND CLUTCH DISC

8-1



22554

16029

- .079" (2 mm) = Gap to be obtained by adjusting release control cable.
- .220" (5.6 mm) = Maximum permissible displacement from wear of driven plate linings.
- .315" (8 mm) = Release travel.

- A = 1.181" (30 mm) approx. Release travel corresponding to a minimum driven plate movement of .067" (1.7 mm).
- B = .669" (17 mm) approx. Displacement of release lever after wear of driven plate linings.

△ = Lubrication points: FIAT KG 15 grease.

SPECIFICATIONS AND FEATURES