

EXTERIOR

CONTENTS

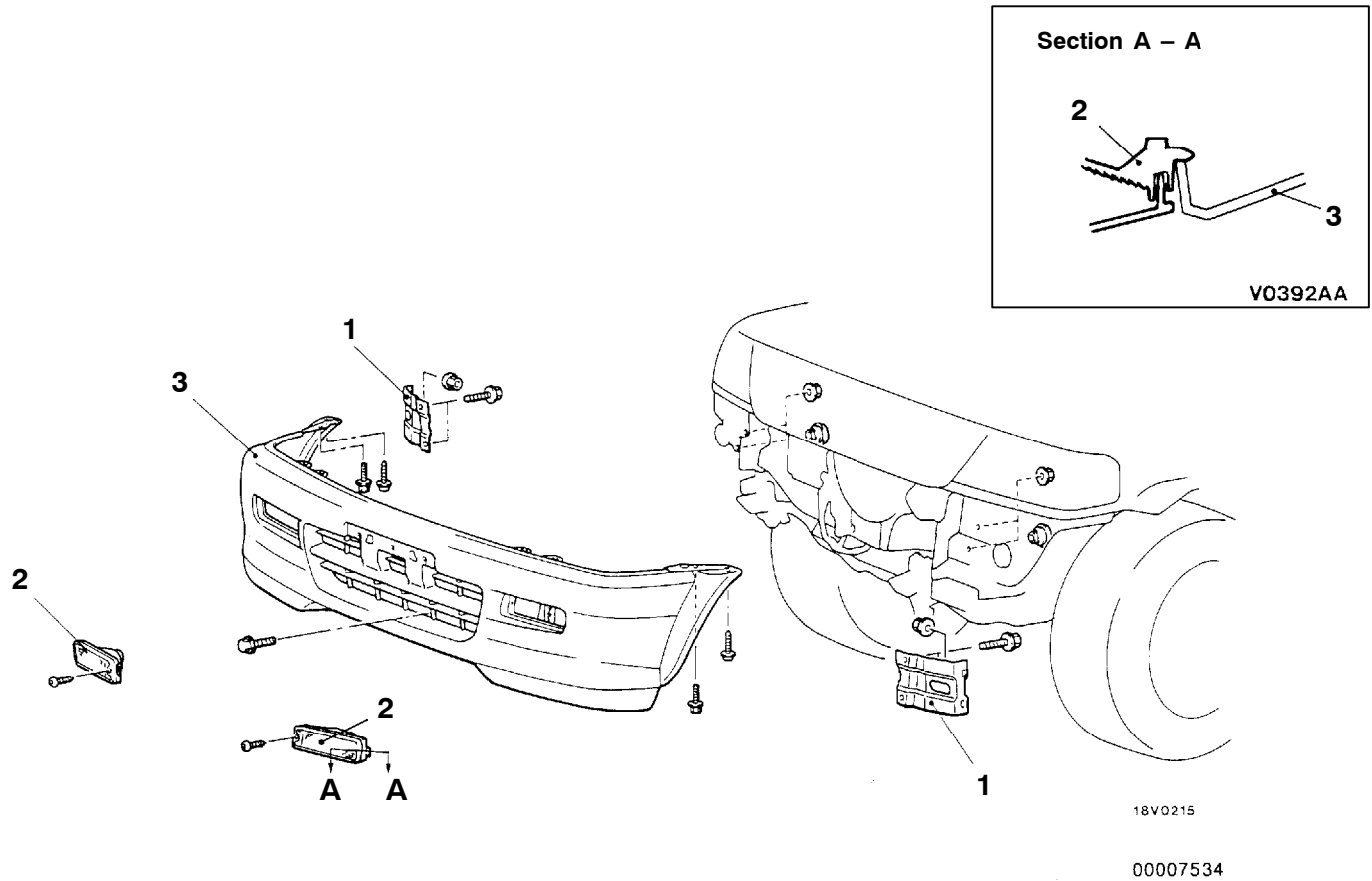
51109000296

FRONT BUMPER	2	WINDSHIELD WIPER AND WASHER	16
REAR BUMPER	4	SERVICE SPECIFICATION	16
BUMPER GUARD	6	WINDSHIELD WIPER AND WASHER ...	16
GRILLE, MOULDING AND GARNISH	7	REAR WIPER AND WASHER	19
SPECIAL TOOL	7	SERVICE SPECIFICATION	19
GRILLE, MOULDING AND GARNISH	7	REAR WIPER AND WASHER	19
EXTERIOR PARTS	9	HEADLAMP WASHER	22
WIDE FENDER	10	MARKS	24
SIDE STEP <VEHICLES WITHOUT WIDE FENDER>	12	DOOR MIRROR	28
SIDE STEP <VEHICLES WITH WIDE FENDER>	13	SPECIAL TOOL	28
		DOOR MIRROR	28

FRONT BUMPER

REMOVAL AND INSTALLATION

51100140263

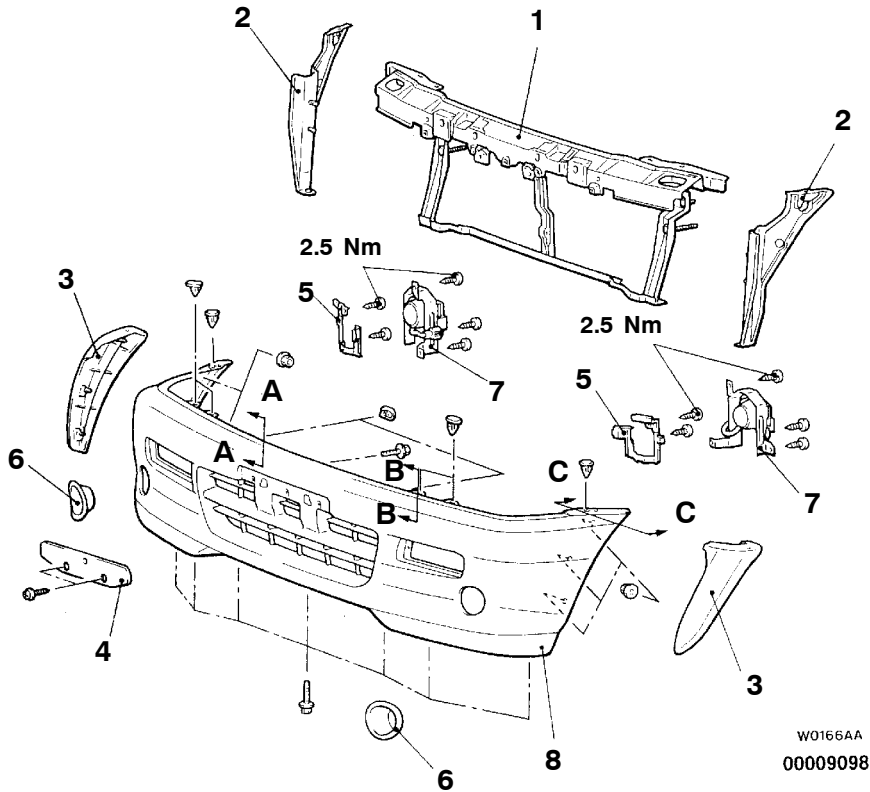


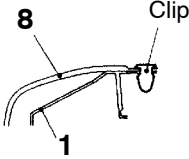
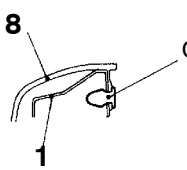
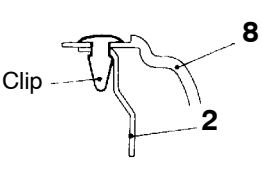
Removal steps

1. Front bumper side stay
2. Front turn signal lamp
3. Front bumper assembly

DISASSEMBLY AND REASSEMBLY

51100160306



Section A – A	Section B – B	Section C – C
 <p data-bbox="479 1260 568 1281">V0394AA</p>	 <p data-bbox="852 1260 941 1281">V0393AA</p>	 <p data-bbox="1242 1260 1315 1281">V0395AA</p>

Disassembly steps

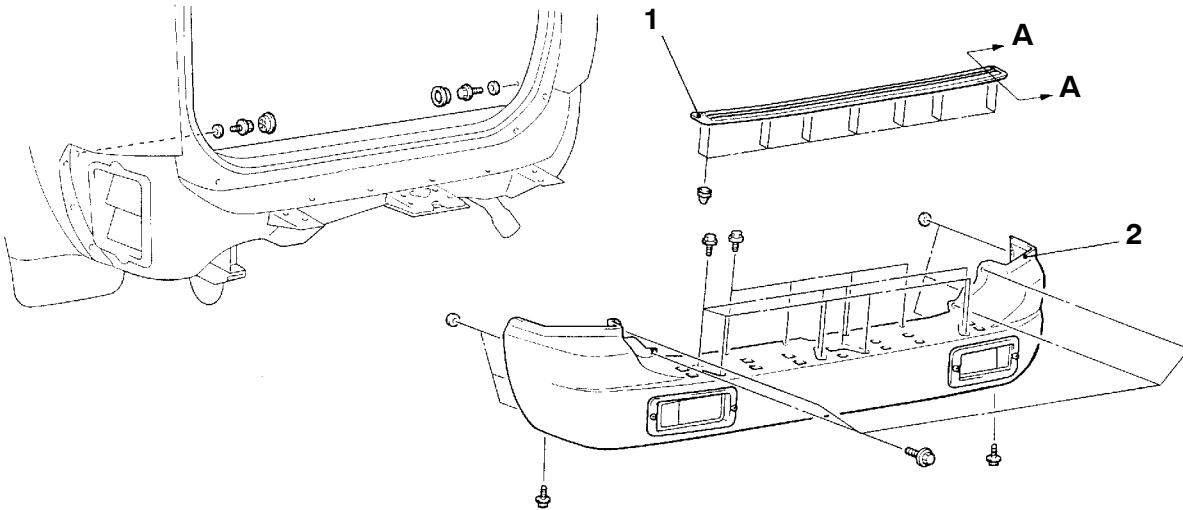
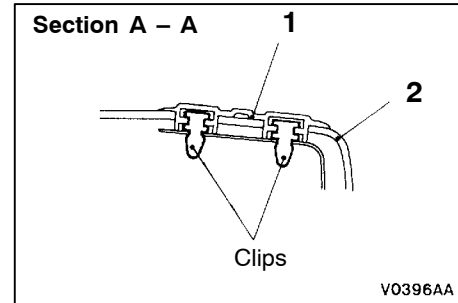
- | | |
|---|--|
| <ol style="list-style-type: none"> 1. Front bumper beam assembly 2. Front bumper side reinforcement 3. Front bumper side extension 4. Licence plate bracket
<Vehicles without bumper guard> 5. Fog lamp bracket
<Vehicles with fog lamp> | <ol style="list-style-type: none"> 6. Fog lamp bezel
<Vehicles with fog lamp> 7. Fog lamp <Vehicles with fog lamp> 8. Front bumper face |
|---|--|

REAR BUMPER

51100190282

REMOVAL AND INSTALLATION**Pre-removal and Post-installation Operation**

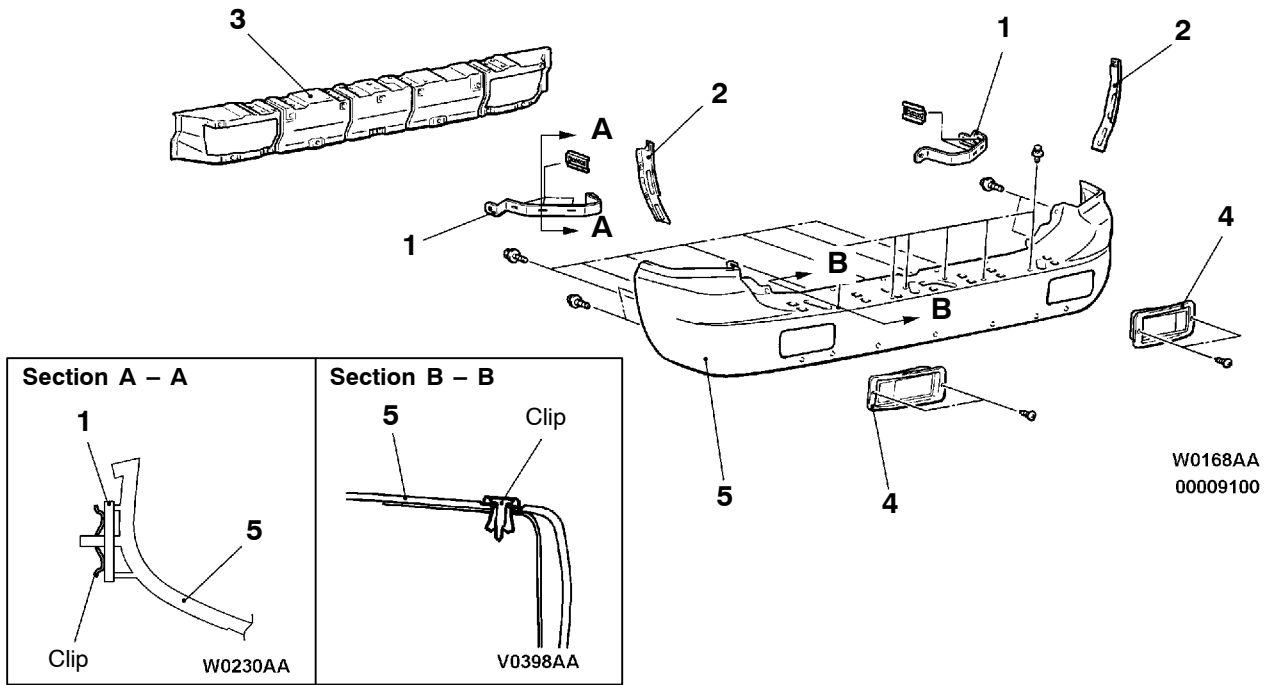
- Luggage Floor Box, Rear Removal and Installation

W0167AA
00009099**Removal steps**

1. Rear bumper step
2. Rear bumper assembly

DISASSEMBLY AND REASSEMBLY

51100210247



W0168AA
00009100

Disassembly steps

1. Rear bumper side reinforcement
2. Rear bumper side bracket
3. Rear bumper reinforcement assembly

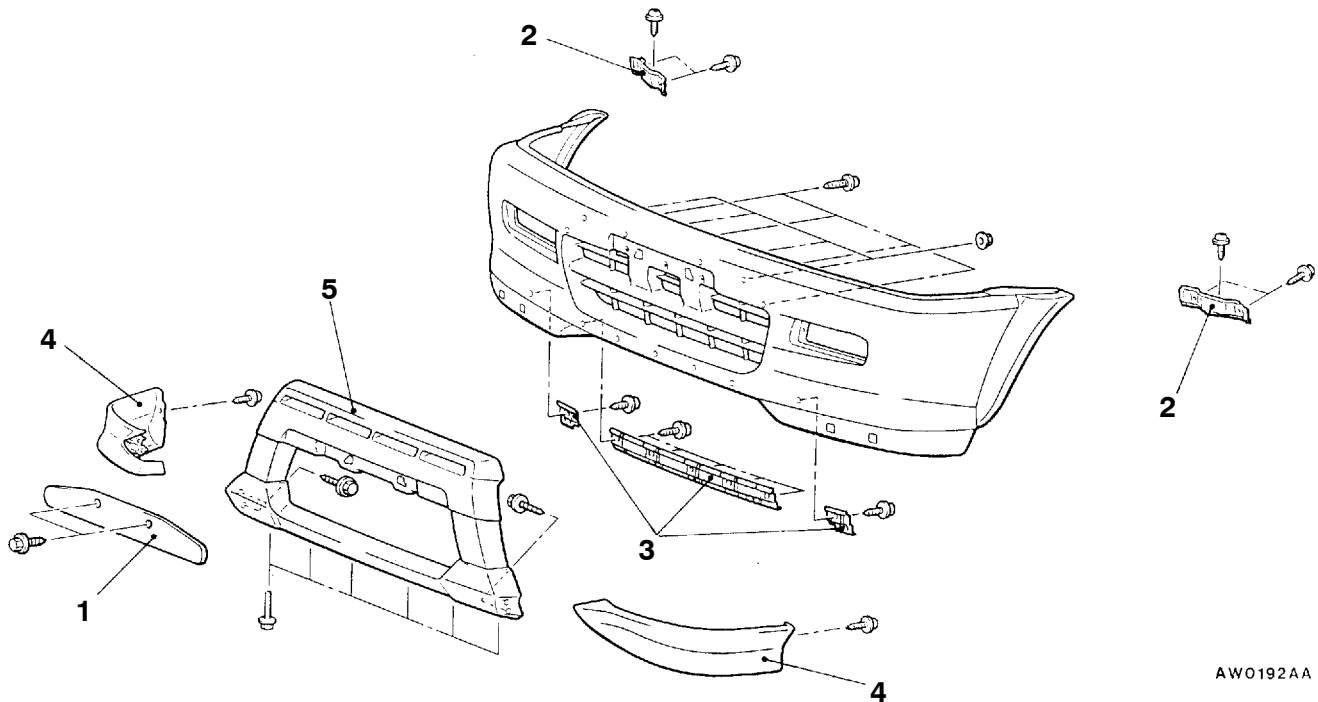
4. Rear fog lamp
5. Rear bumper face

BUMPER GUARD

51101090017

REMOVAL AND INSTALLATION**Pre-removal and Post-installation Operation**

- Front Bumper Removal and Installation
(Refer to P.51-2.)



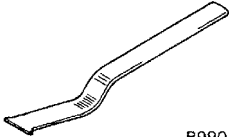
AW0192AA

Removal steps

1. Licence plate
2. Bumper guard side plate
3. Bumper guard lower plate
4. Bumper guard side
5. Bumper guard center

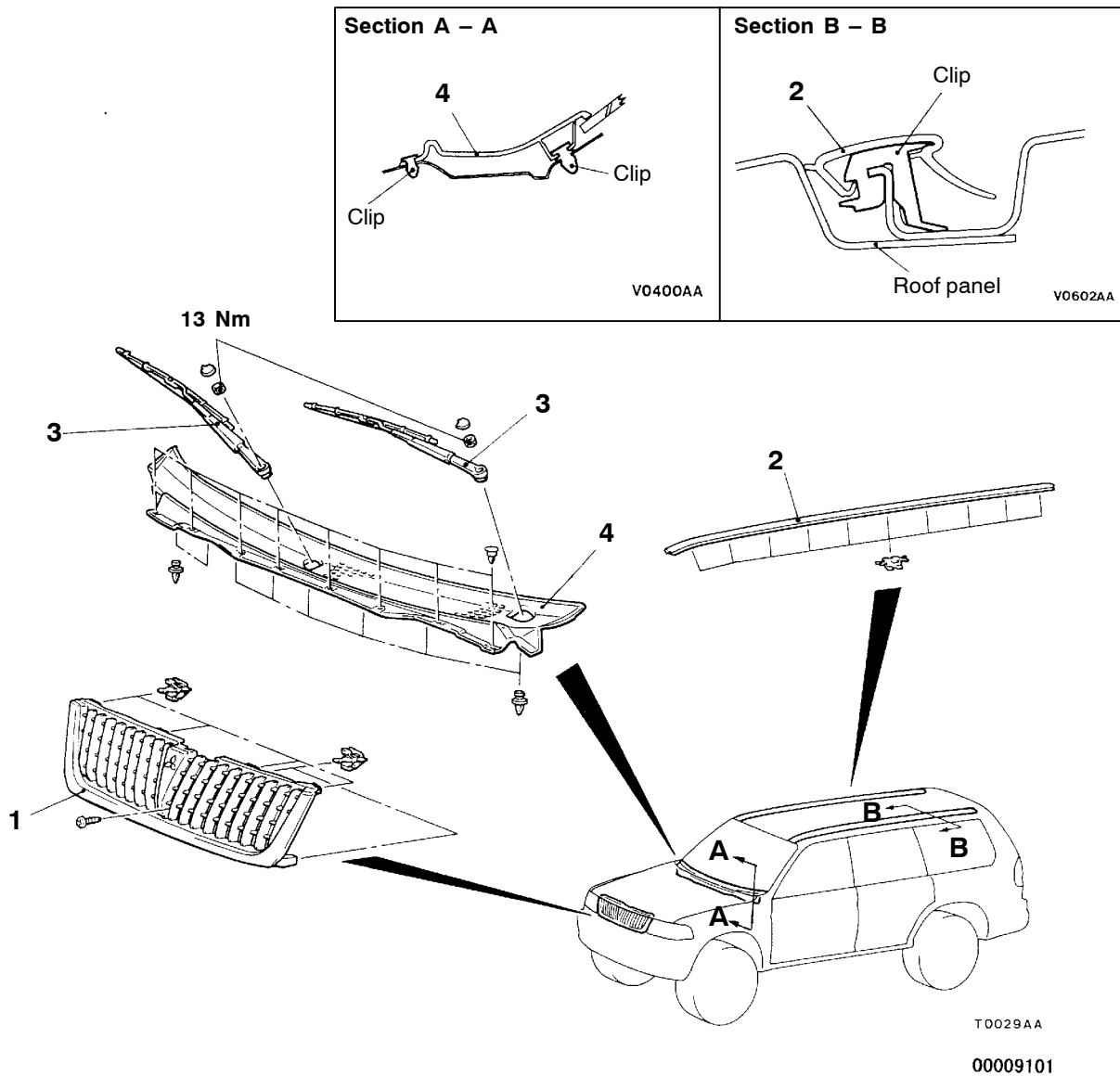
**GRILLE, MOULDING AND GARNISH
SPECIAL TOOL**

51100060248

Tool	Number	Name	Use
 B990449	MB990449	Window moulding remover	Roof drip moulding removal

**GRILLE, MOULDING AND GARNISH
REMOVAL AND INSTALLATION**

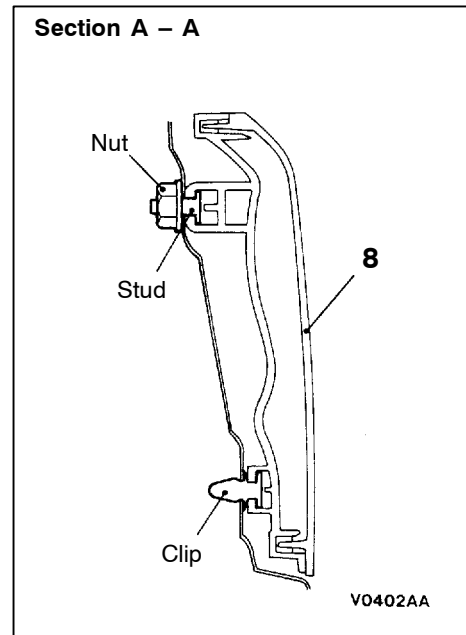
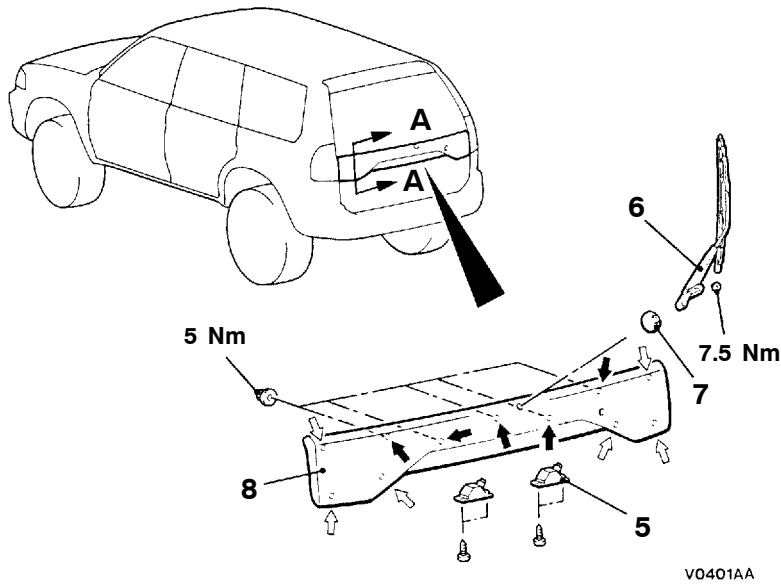
51100350109



- 1. Radiator grille
- 2. Roof drip moulding

Front deck garnish removal steps

- 3. Wiper arm and blade assembly
(Refer to P.51-16.)
- 4. Front deck garnish



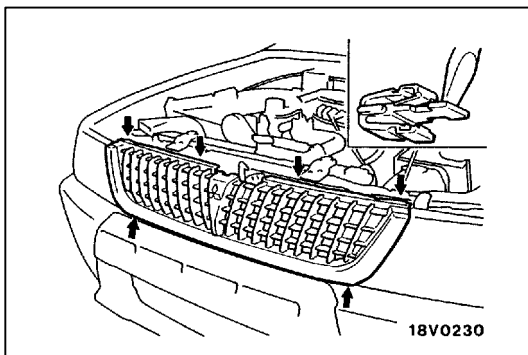
NOTE

- ← : Resin clip position
- ➡ : Stud position

00007539

Tailgate garnish removal steps

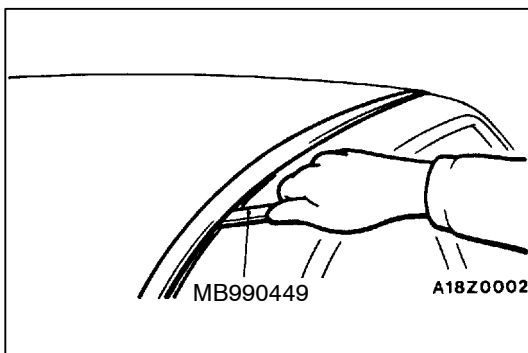
- 5. Licence plate lamp
- 6. Rear wiper arm and blade assembly (Refer to P.51-19.)
- 7. Grommet (Refer to P.51-19.)
- 8. Tailgate garnish



REMOVAL SERVICE POINTS

◀A▶ RADIATOR GRILLE REMOVAL

1. Remove the screw at the centre of the radiator grille.
2. Remove the radiator grille by pushing the tab of the radiator grille clips in the direction of the arrows with a flat-tipped screwdriver, while lightly pulling the radiator grille toward you.



◀B▶ ROOF DRIP MOULDING REMOVAL

Use the special tool to lever out the moulding.

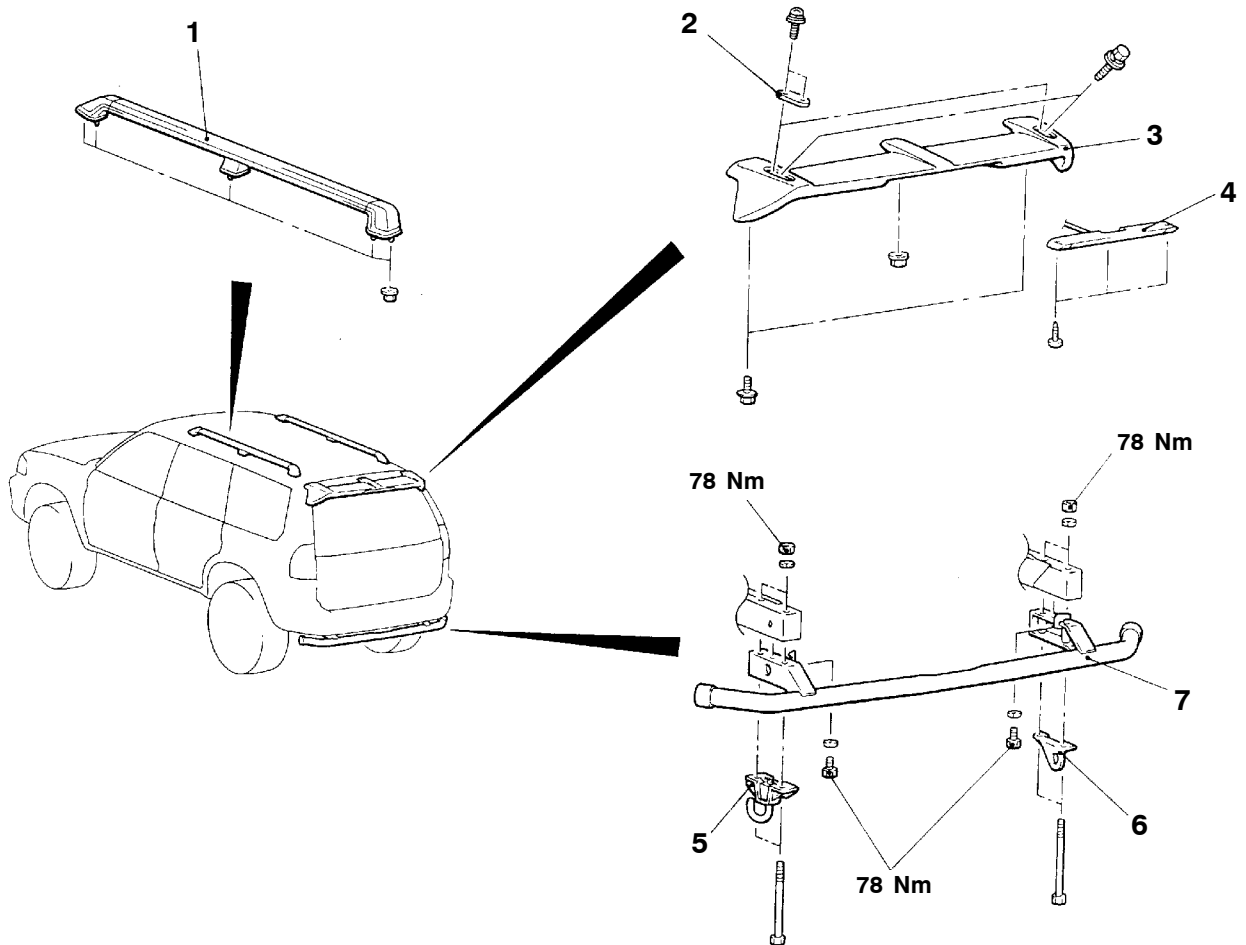
Caution

Do not reuse the warped moulding.

EXTERIOR PARTS

51101750014

REMOVAL AND INSTALLATION



AW0169AA

Roof rail removal steps

- Headlining
- 1. Roof rail

Roof spoiler removal steps

- ▶A◀ 2. Spoiler cover
- 3. Roof spoiler
- 4. High-mounted stop lamp

Rear under guard bar removal steps

- 5. Towing hook
- 6. Tie down bracket
- 7. Rear under guard bar

INSTALLATION SERVICE POINT

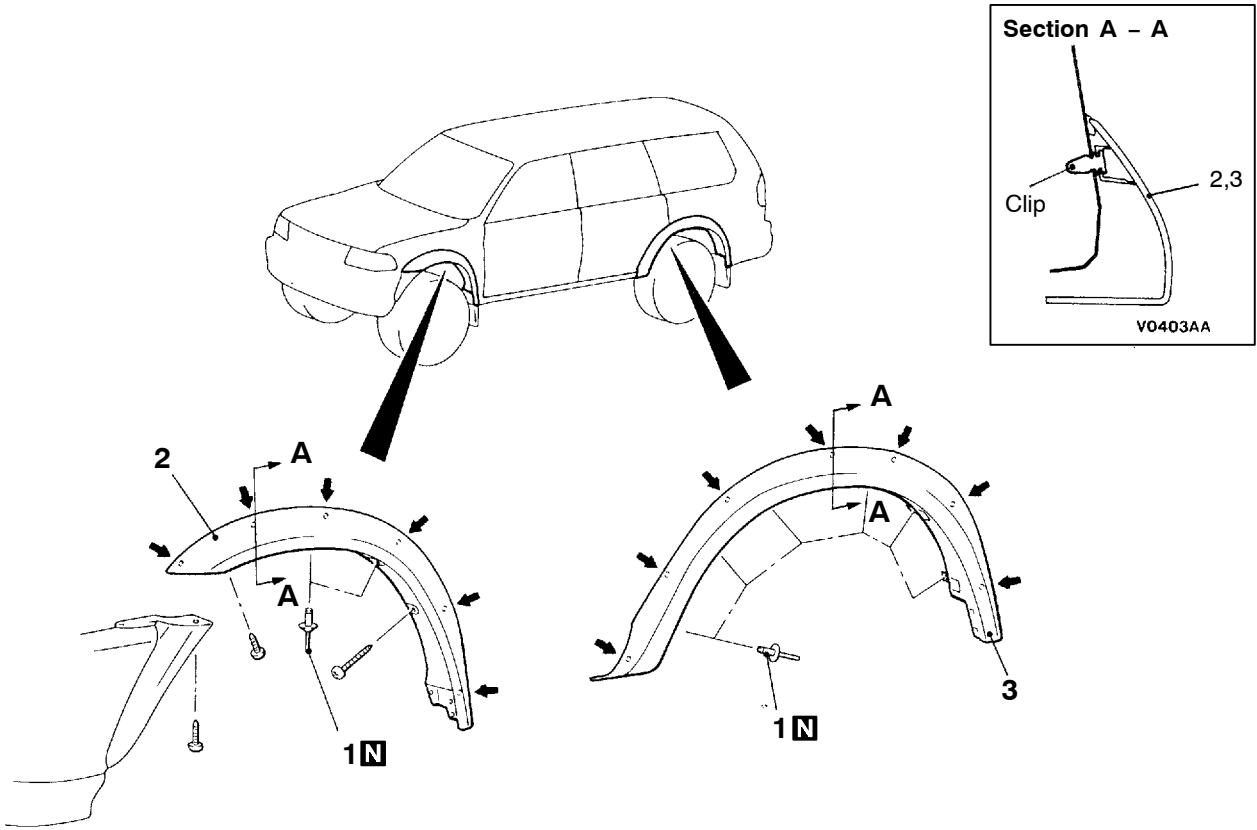
▶A◀ **SPOILER COVER INSTALLATION**

Install with the arrow shown on the rear surface facing forward.

WIDE FENDER

REMOVAL AND INSTALLATION

- Pre-removal and Post-installation Operation**
- Mud Guard Removal and Installation



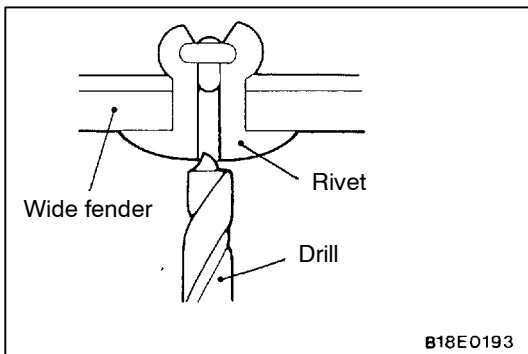
18V0238
00007540

NOTE
◀▶ : Resin clip position

Removal steps



1. Rivet
2. Front flare
3. Rear flare

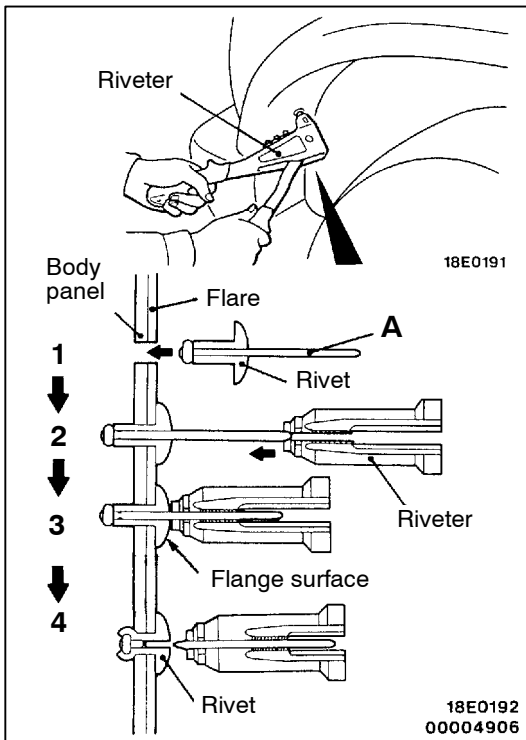


B18E0193

REMOVAL SERVICE POINT

◀▶ RIVET REMOVAL

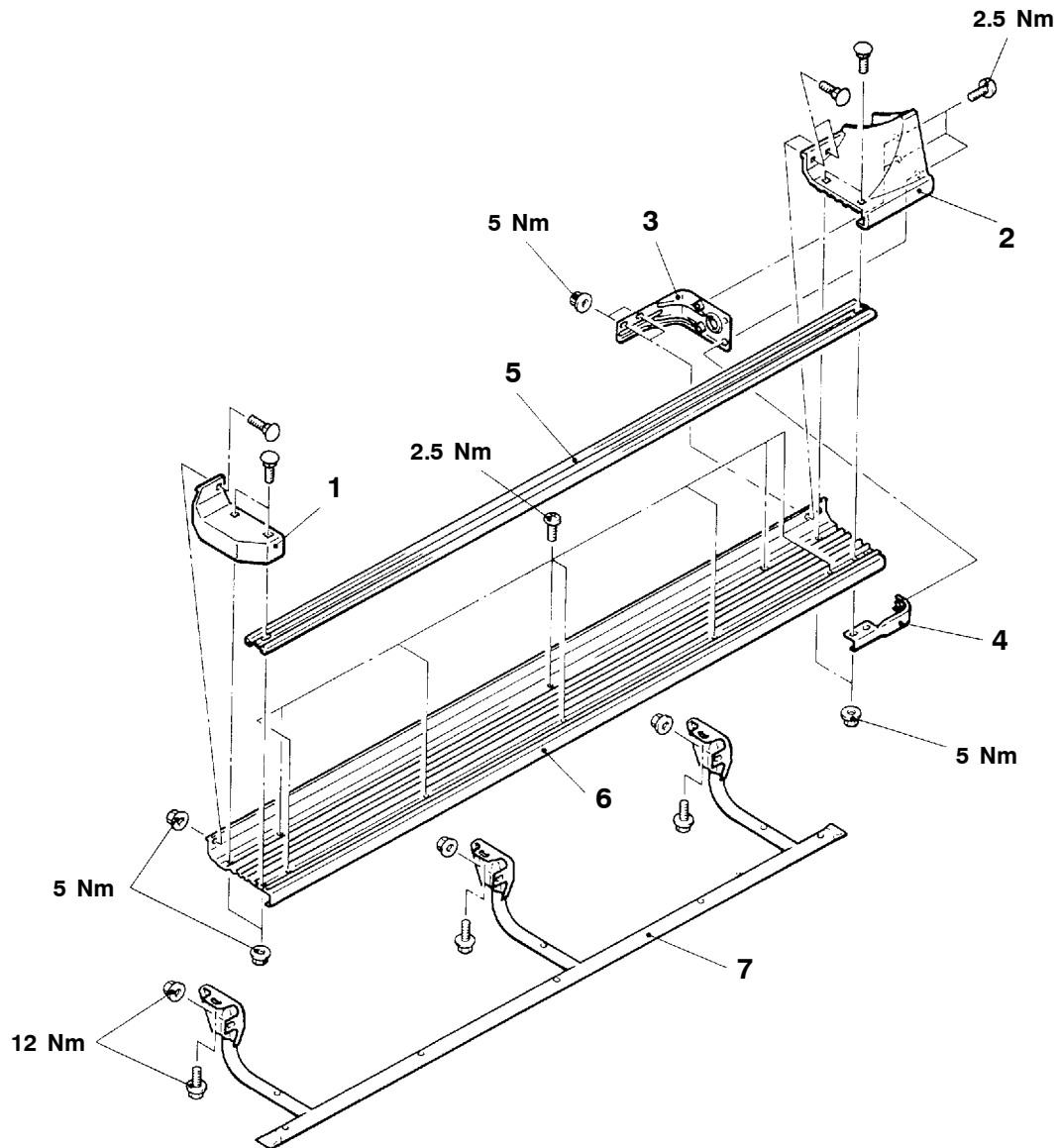
Use a drill ($\phi 4.0 - 5.5$ mm) to break the rivet by drilling a hole, and remove the rivet.

**INSTALLATION SERVICE POINT****▶A◀ RIVET INSTALLATION**

1. Insert the rivet into the body panel and flare.
2. Insert A of the rivet into the riveter.
3. Pressing the flange surface of the rivet, move the handle of the riveter.
4. The thinnest point of A is cut and the rivet is held in the position.

SIDE STEP <VEHICLES WITHOUT WIDE FENDER>

51101150050

REMOVAL AND INSTALLATION

B18V0132

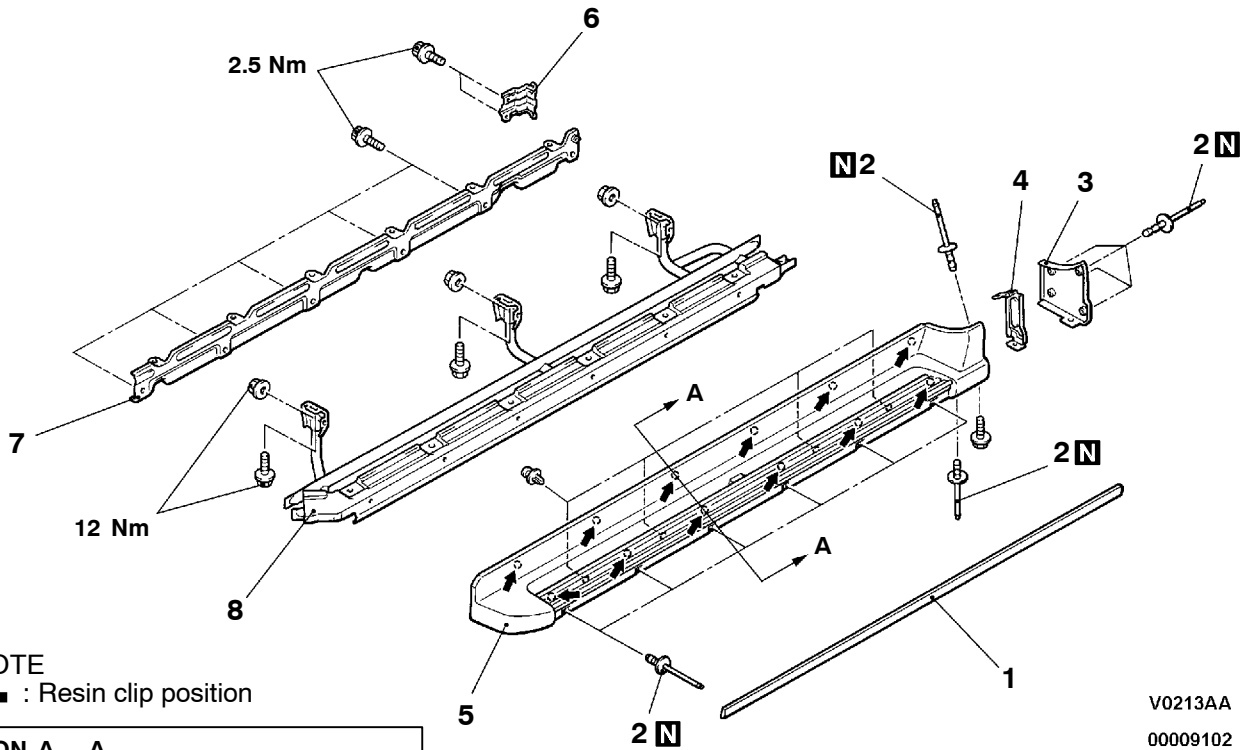
Removal steps

1. Front step cover
2. Rear step cover
3. Rear step cover stay
4. Rear step cover reinforcement
5. Non-slip cover
6. Step plate
7. Side step pipe assembly

SIDE STEP <VEHICLES WITH WIDE FENDER>

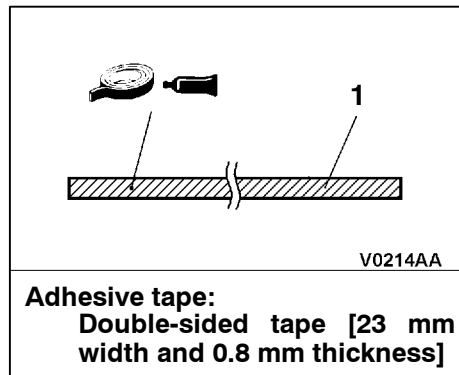
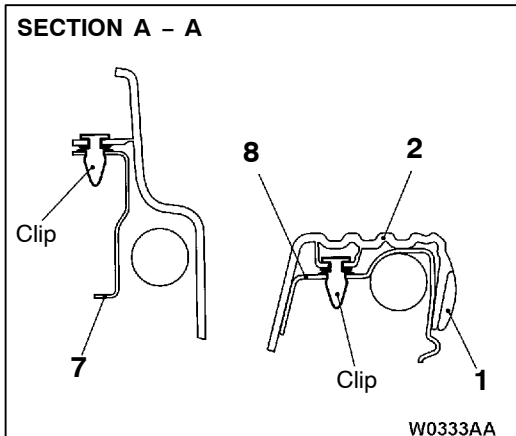
51101150067

REMOVAL AND INSTALLATION



NOTE
 ← : Resin clip position

V0213AA
 00009102

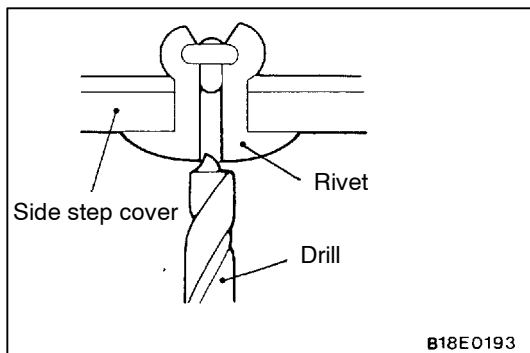


Removal steps



1. Side step moulding
2. Rivet
3. Side step rear cover
4. Side step rear reinforcement (B)

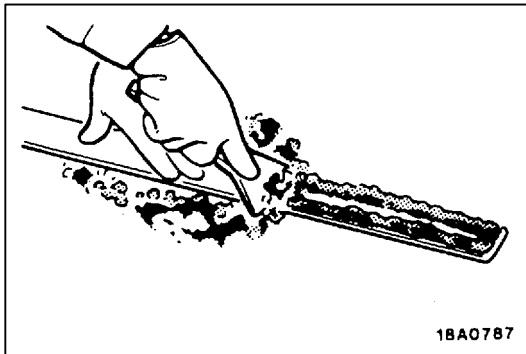
5. Side step cover
6. Side step rear reinforcement (A)
7. Side step inner plate
8. Side step pipe assembly



REMOVAL SERVICE POINT

←A→ RIVET REMOVAL

Use a drill (φ3.0 – 3.2 mm) to break the rivet by drilling a hole, and remove the rivet.



INSTALLATION SERVICE POINTS

▶A◀ SIDE STEP MOULDING INSTALLATION

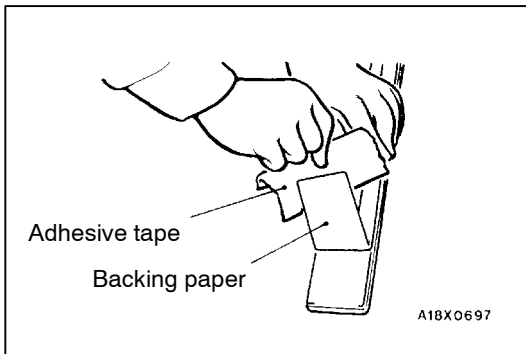
Double-sided tape affixing to the side step moulding (when reusing)

1. Scrape off the double-sided tape with a resin spatula or gasket scraper.

2. Wipe off the side step moulding adhesion surface and clean it with a shop towel moistened with isopropyl alcohol.
3. Affix the specified double-sided tape to the side step moulding.

Specified adhesive tape:

Double-sided tape 23 mm width and 0.8 mm thickness



4. Remove strip paper from the pressure sensitive double-sided tape.

NOTE

Affix double-sided tape to the end of strip paper for ease of strip paper removal.

5. Install the side step moulding.

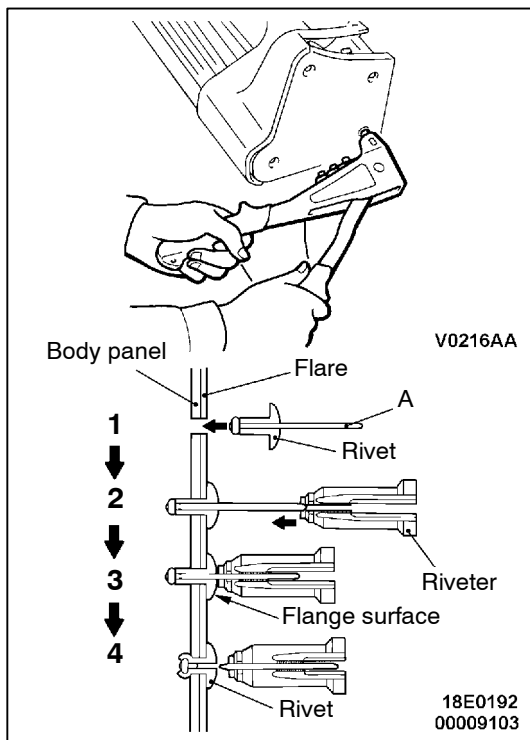
NOTE

If it is hard to affix the double-sided tape in winter, heat the application surfaces at both the side step cover and the side step moulding.

Side step cover 40 – 60 °C

Side step moulding 20 – 30 °C

Apply pressure fully to the side step moulding.

**►B◄ RIVET INSTALLATION**

1. Insert the rivet into the body panel and flare.
2. Insert A of the rivet into the riveter.
3. Pressing the flange surface of the rivet, move the handle of the riveter.
4. The thinnest point of A is cut and the rivet is held in the position.

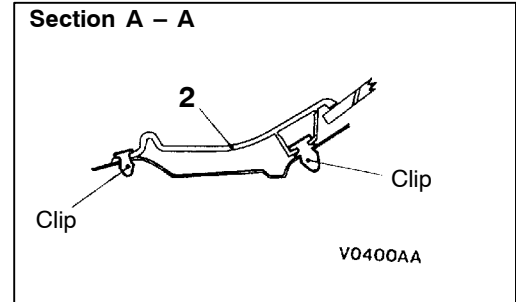
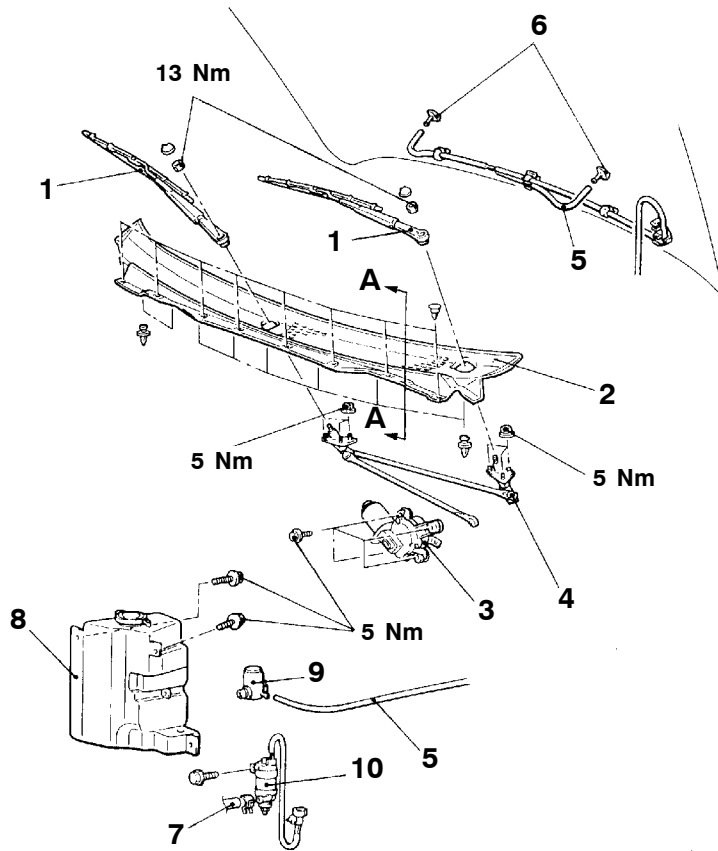
WINDSHIELD WIPER AND WASHER SERVICE SPECIFICATION

51100030232

Item	Standard value	
Windshield wiper blade installation position mm	Driver's side	21 – 31
	Passenger's side	30 – 40

WINDSHIELD WIPER AND WASHER REMOVAL AND INSTALLATION

51100760377



W0170AA

00009104

Wiper motor and link assembly removal steps

1. Wiper arm and blade assembly
2. Front deck garnish
3. Wiper motor
4. Wiper link assembly

Washer nozzle removal

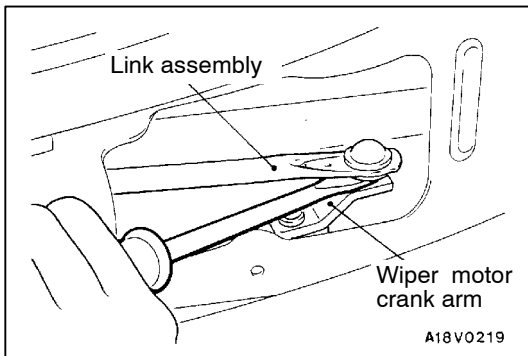
5. Washer hose
6. Washer nozzle

Washer tank removal steps

- Washer fluid draining and supplying
- 5. Washer hose
- 7. Headlamp washer hose connection <Vehicles with headlamp washer>
- 8. Washer tank assembly
- 9. Washer motor
- 10. Headlamp washer motor <Vehicles with headlamp washer>

NOTE

For removal and installation of the column switch assembly (windshield wiper and washer switch), refer to GROUP 37A – Steering Wheel and Shaft.



REMOVAL SERVICE POINT

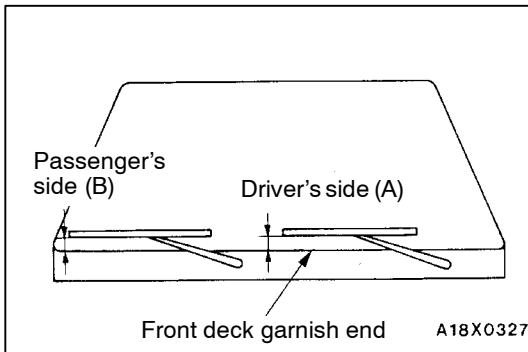
◀A▶ WIPER MOTOR REMOVAL

Use a flat-tipped screwdriver to remove the connection between the wiper motor crank arm and the link assembly.

Caution

Auto-stop angle is controlled so do not remove crank arm from wiper motor unless necessary.

When removing, mark crank arm and wiper motor.



INSTALLATION SERVICE POINT

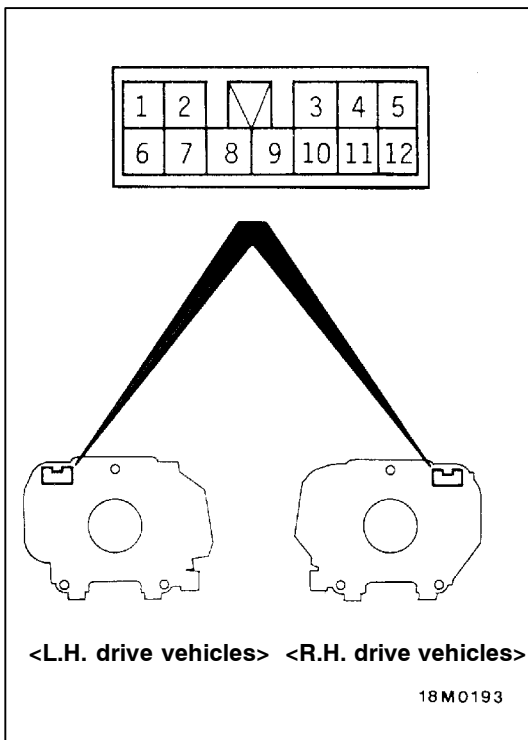
▶A◀ WIPER ARM AND BLADE ASSEMBLY INSTALLATION

Install the wiper blade in the specified position (standard value).

Standard value:

Driver's side (A) 21 – 31 mm

Passenger's side (B) 30 – 40 mm



INSPECTION

51101450068

COLUMN SWITCH CHECK

Wiper and Washer Switch

<L.H. drive vehicles>

Switch position		Terminal No.				
		6	7	8	9	10
Wiper switch	OFF		○	○		
	INT		○	○		
	1 (LO)			○		○
	2 (HI)				○	○
Washer switch	ON	○				○

<R.H. drive vehicles>

Switch position		Terminal No.				
		8	9	10	11	12
Wiper switch	OFF			○	○	
	INT			○	○	
	1 (LO)	○		○		
	2 (HI)	○	○			
Washer switch	ON	○				○

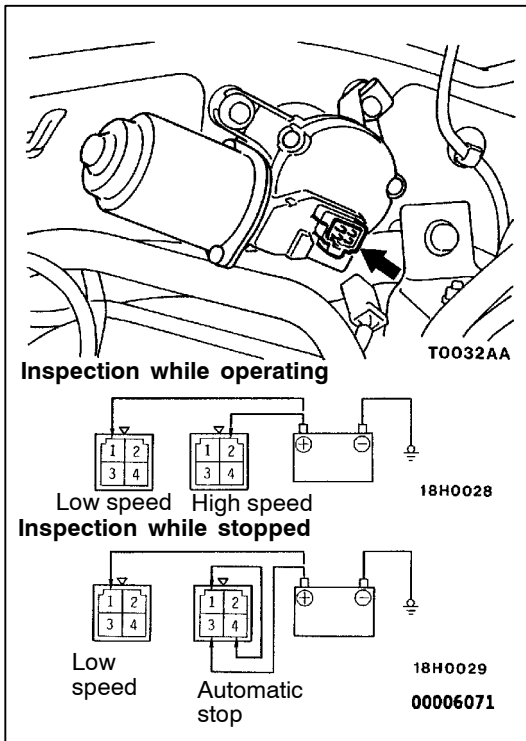
Intermittent Wiper Relay (Intermittent Operation Inspection)

1. Connect the column switch connector.
2. Turn the ignition switch to ACC.
3. Inspect the intermittent operation time when the wiper switch is turned to INT.

Vehicles with variable intermittent control

FAST: Approx. 2 seconds

SLOW: Approx. 15 seconds



WIPER MOTOR CHECK

51101260142

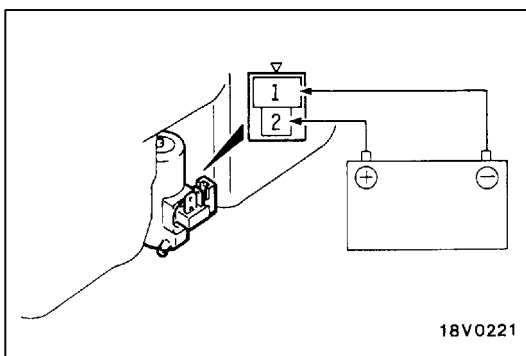
Check the wiper motor after disconnecting the wiring harness connector, and with the wiper motor remaining installed to the body.

Wiper Motor at Low Speed and High Speed Operation

Connect a battery to the wiper motor as shown in the illustration and inspect motor operation at low speed and high speed.

Wiper Motor at Stop Position Operation

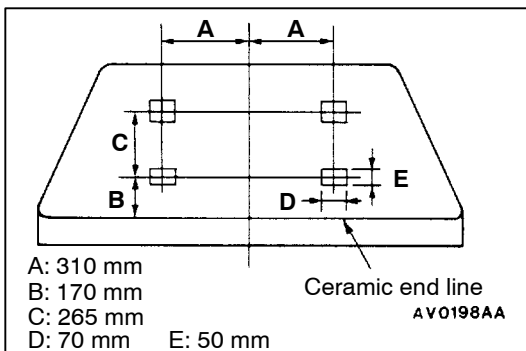
1. Run the wiper motor at low speed, disconnect the battery, and stop the motor.
2. Reconnect the battery as shown in the illustration, and confirm that after the motor starts turning at low speed, it stops at the automatic stop position.



WASHER MOTOR CHECK

51101270060

1. With the washer motor installed to the washer tank, fill the washer tank with water.
2. Check that the water squirts out strongly when battery voltage is applied to terminals (1) and (2).



WASHER FLUID EJECTION POINTS CHECK

51100770202

Adjust the ejection angle by moving a ball in the nozzle.

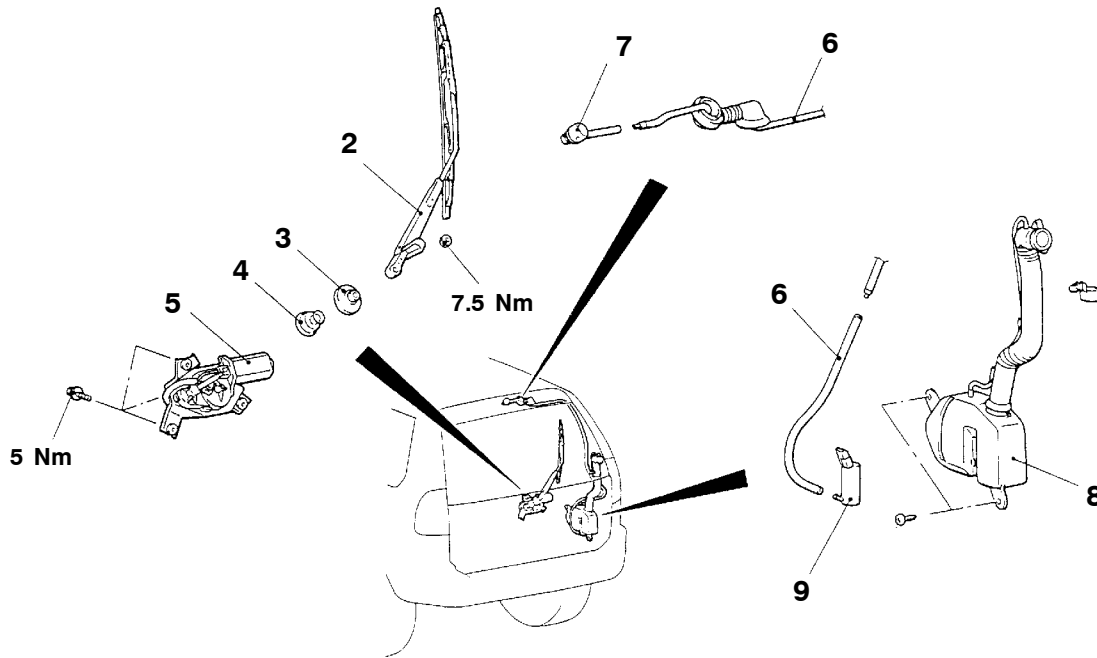
**REAR WIPER AND WASHER
SERVICE SPECIFICATION**

51100030249

Item	Standard value
Rear wiper blade installation position mm	65 – 75

**REAR WIPER AND WASHER
REMOVAL AND INSTALLATION**

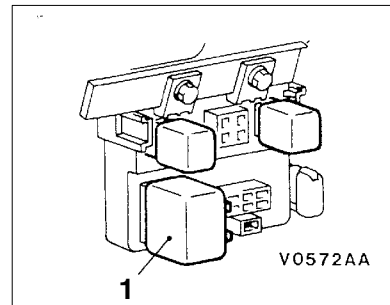
51100850210



18V0235
00007542

NOTE

For removal and installation of the column switch assembly (rear wiper and washer switch), refer to GROUP 37A – Steering Wheel and Shaft.



1. Rear intermittent wiper relay

Wiper motor removal steps



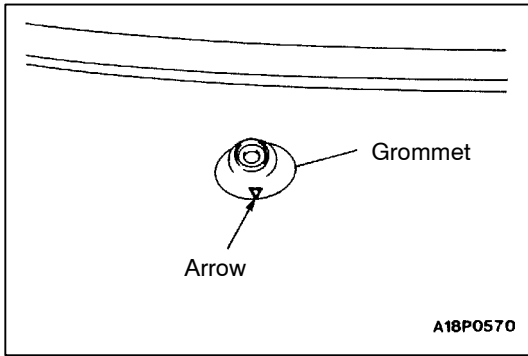
2. Wiper arm and blade assembly
3. Grommet
- Tailgate garnish (Refer to P.51-8.)
4. Grommet
5. Wiper motor

Washer hose removal steps

- Quarter trim, lower <R.H.> (Refer to GROUP 52A – Trims.)
- 6. Washer hose
- 7. Washer nozzle

Washer tank and motor removal steps

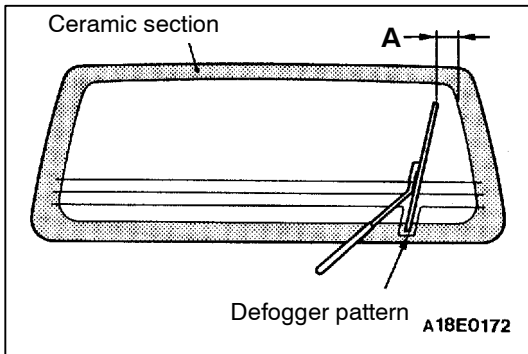
- Quarter trim lower <R.H.> (Refer to GROUP 52A – Trims.)
- Washer fluid draining
- 6. Washer hose
- 8. Washer tank
- 9. Washer motor



INSTALLATION SERVICE POINTS

▶A◀ GROMMET INSTALLATION

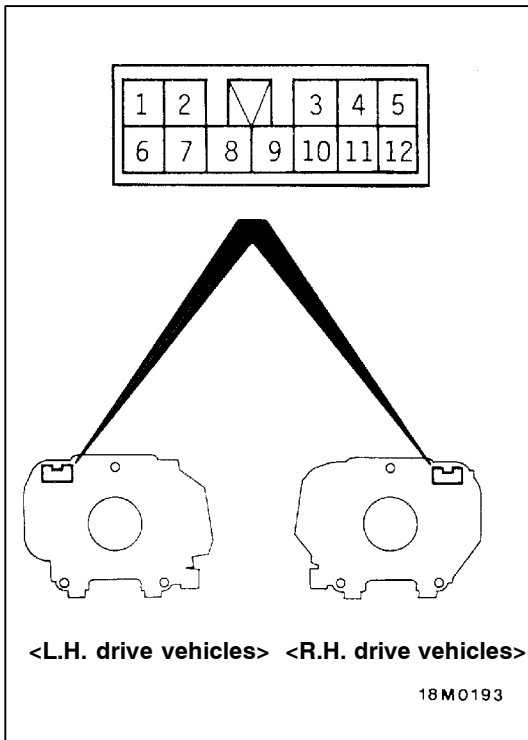
Install the grommet so that the arrow points downwards.



▶B◀ WIPER ARM AND BLADE ASSEMBLY INSTALLATION

Install the wiper blade so that the tip stops at the standard position (standard value), and also so that the lower section of the wiper blade enters the middle of the defogger pattern.

Standard value (A): 65 – 75 mm



INSPECTION

51100950118

COLUMN SWITCH CHECK

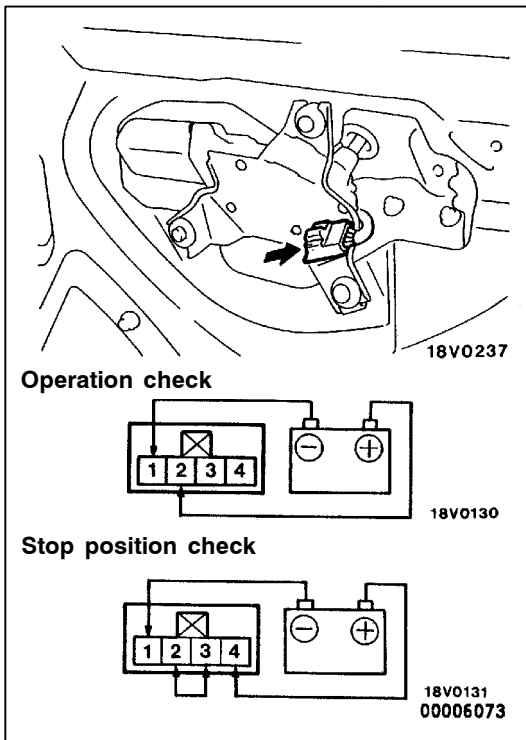
Rear Wiper and Washer Switch

<L.H. drive vehicles>

Switch position		Terminal No.			
		2	3	4	10
Wiper switch	INT		○	—	○
	ON			○	○
Washer switch	ON	○	—	○	○

<R.H. drive vehicles>

Switch position		Terminal No.			
		2	3	4	8
Wiper switch	INT		○	—	○
	ON			○	○
Washer switch	ON	○	—	○	○



WIPER MOTOR CHECK

51101290110

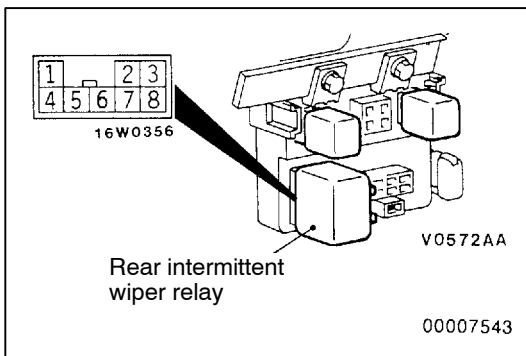
Check the wiper motor after first disconnecting the wiring harness connector, and with the wiper motor remaining installed to the body.

Wiper Motor Operation

Connect a battery to the wiper motor as shown in the illustration and inspect the motor operation.

Wiper Motor at Stop Position Operation

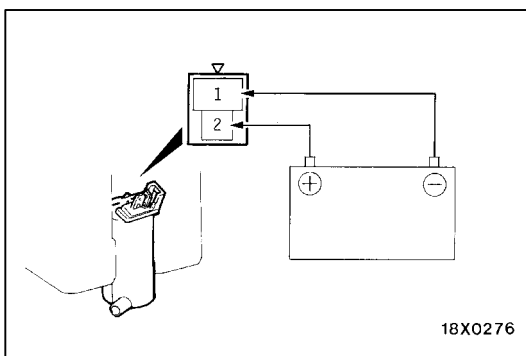
1. Run the wiper motor, disconnect the battery, and stop the motor.
2. Reconnect the battery as shown in the illustration, and confirm that after the motor starts turning it stops at the automatic stop position.



INTERMITTENT WIPER RELAY CHECK

51101300097

1. Check that there is continuity between terminals (1) and (2).
2. Connect terminals (4), (5) to the battery (+) terminal.
3. Check that there is battery voltage at terminal (2) for intermittent periods of eight seconds when terminal (7) is connected to the battery (-) terminal.



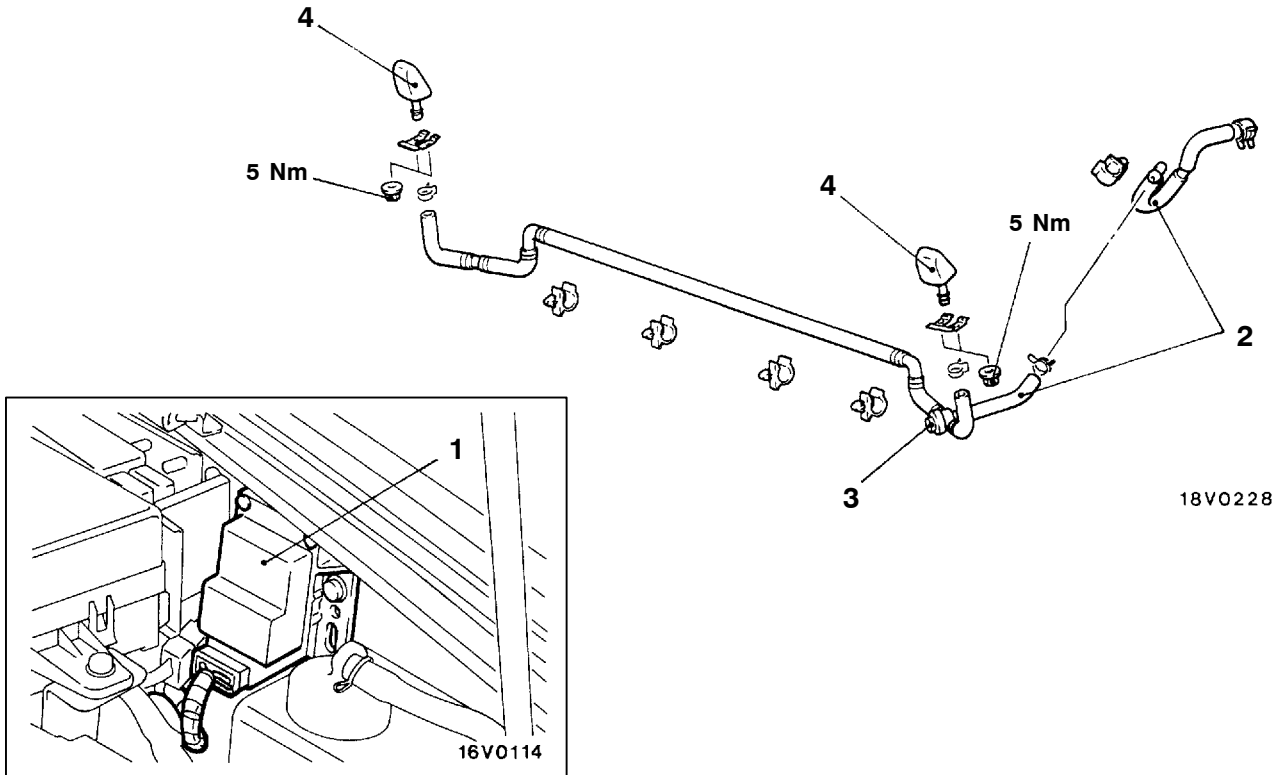
WASHER MOTOR CHECK

51101310106

1. With the washer motor installed to the washer tank, fill the washer tank with water.
2. When the battery is connected as shown in the figure, check that the washer squirts out strongly.

HEADLAMP WASHER REMOVAL AND INSTALLATION

51100970138



18V0228

00004908

1. Headlamp washer relay

Washer nozzle and check valve removal steps

- Washer fluid draining
 - Front bumper (Refer to P.51-2.)
2. Washer hose
 3. Check valve
 4. Washer nozzle

NOTE

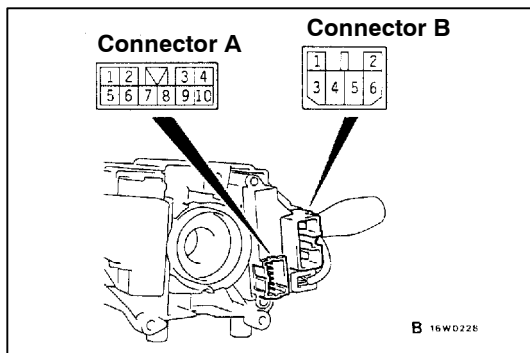
1. For removal and installation of the column switch assembly (built-in headlamp washer switch), refer to GROUP 37A – Steering Wheel and Shaft.
2. For removal and installation of the washer tank, refer to P.51-16.

INSPECTION

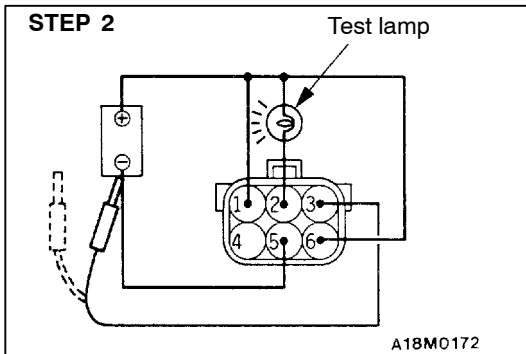
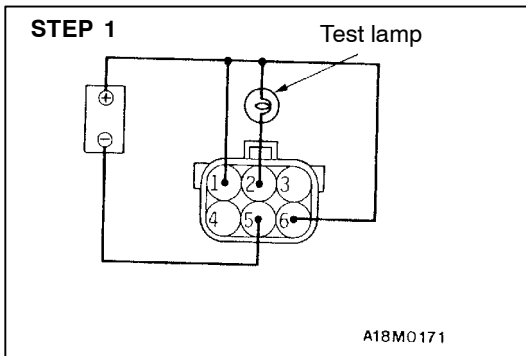
51100980070

COLUMN SWITCH (HEADLAMP WASHER SWITCH) CHECK

Check the continuity between terminal (2) of connector A and terminal (1) of connector B with headlamp washer switch in ON position.



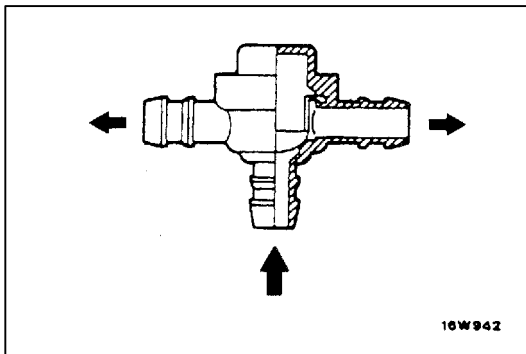
B 16W0228



HEADLAMP WASHER RELAY CHECK

51101320062

1. Connect battery and test lamp to the relay as illustrated.
2. The relay is normal if the lamp lights for approximately 0.5 second upon connection of terminal (3) to battery (-).

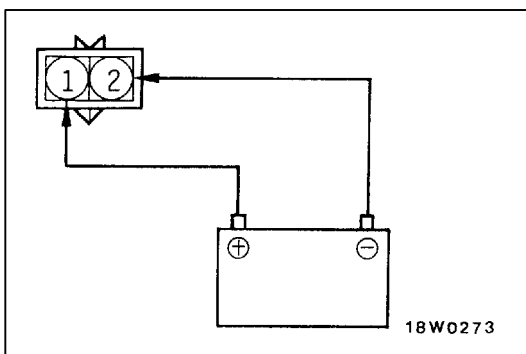


CHECK VALVE CHECK

51101330041

Apply pressure to the inlet of the check valve to check its opening pressure.

Opening pressure: 78 kPa



HEADLAMP WASHER MOTOR CHECK

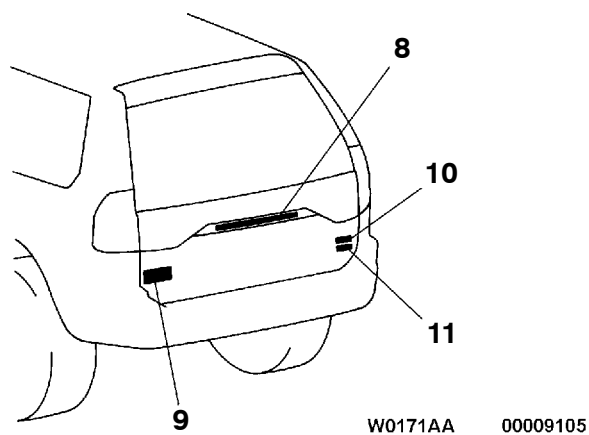
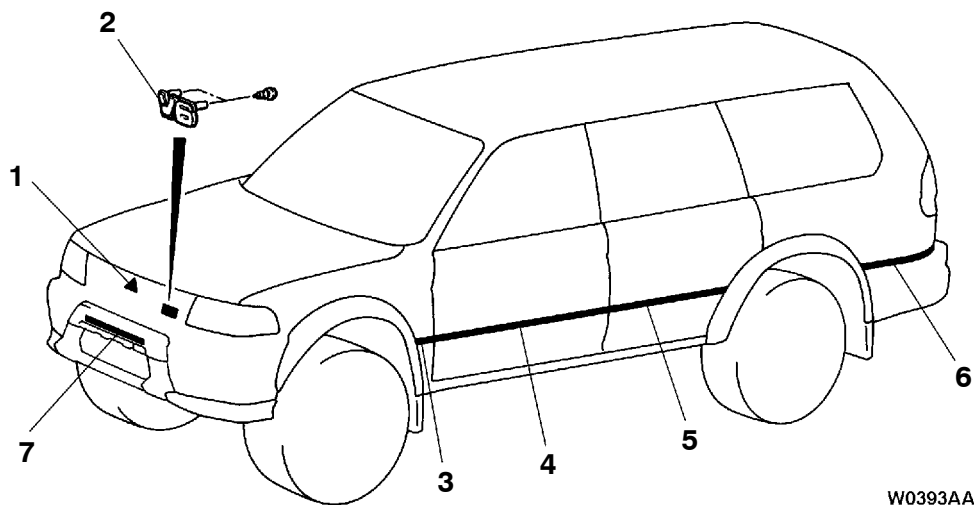
51101340044

1. With the headlamp washer motor installed to the washer tank, fill the washer tank with water.
2. Check that the water squirts out strongly when battery voltage is applied to terminals (1) and (2).

MARKS

51101180189

REMOVAL AND INSTALLATION



- 1. Top mark
- 2. V6 mark
- ▶◀A▶◀ 3. Fender pin stripe tape
- ▶◀A▶◀ 4. Front door pin stripe tape
- ▶◀A▶◀ 5. Rear door pin stripe tape
- ▶◀A▶◀ 6. Side pin stripe tape
- ▶◀A▶◀ 7. MITSUBISHI mark
<Vehicles with bumper guard>
- ▶◀A▶◀ 8. MITSUBISHI mark
- ▶◀A▶◀ 9. PAJERO SPORT mark (rear)
- ▶◀A▶◀ 10. 4WD decal
- ▶◀A▶◀ 11. GLX or GLS mark

INSTALLATION SERVICE POINT

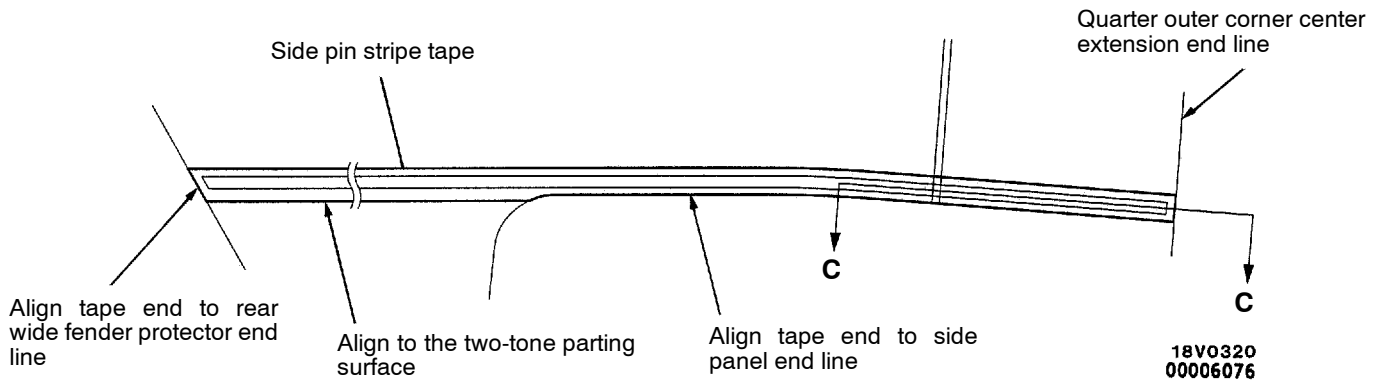
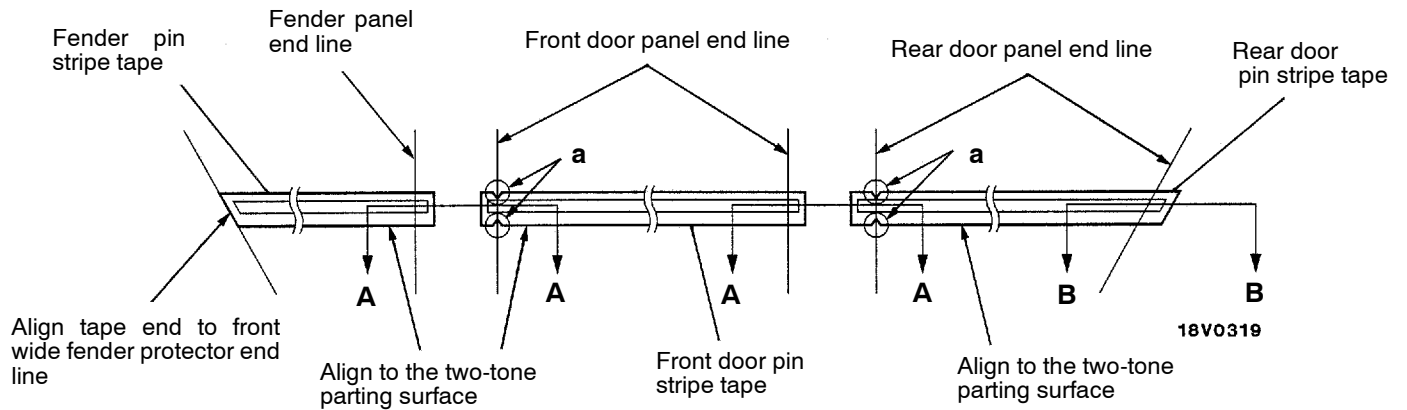
▶A◀ MARKS INSTALLATION

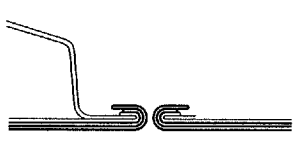
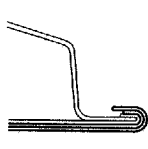
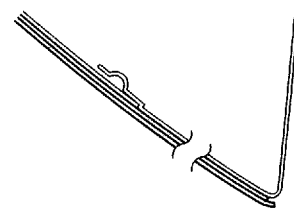
1. INSTALLATION POSITION

Attach to the position shown in the illustration.

PIN STRIPE TAPE

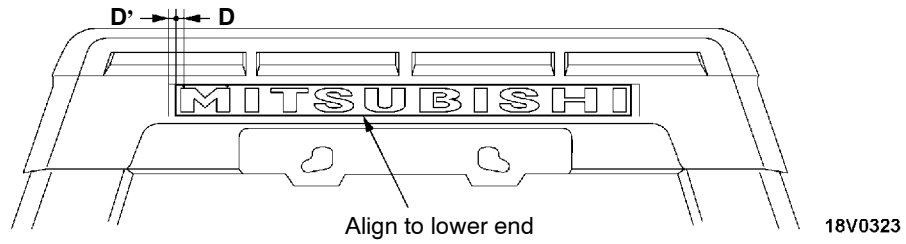
- Align the notch at the section “a” with the end of the door panel.
- Fold the sections of protruding from the end of the fender panel and door panel inward.



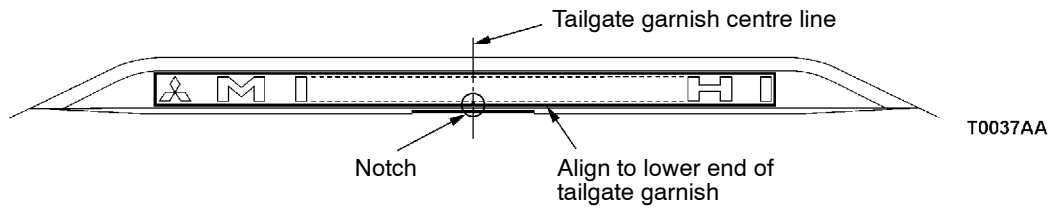
Section A - A	Section B - B	Section C - C
 <p>18V0321</p>	 <p>18V0331</p>	 <p>18V0322</p>

MITSUBISHI mark <Vehicle with bumper guard>

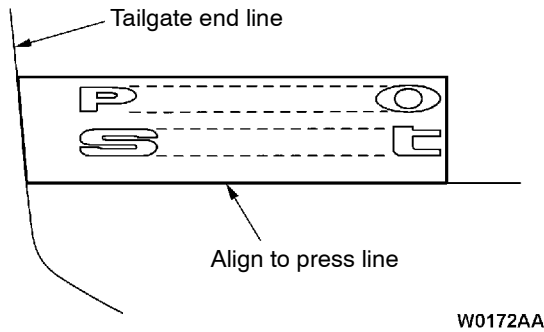
Each dimension from the edge to the notch (V shape) of the mark should be equal to each installation dimension. (i.e. $D = D'$)



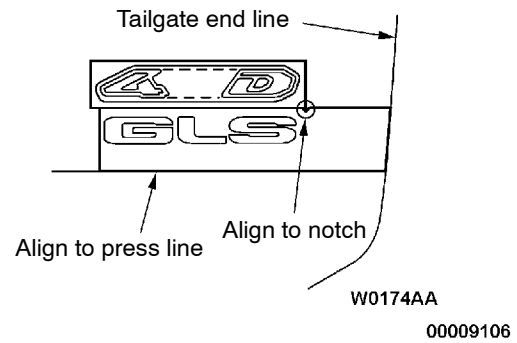
MITSUBISHI mark



PAJERO SPORT mark (rear)



4WD decal, GLX or GLS mark



2. INSTALLATION PROCEDURE

- (1) Clean the mark installation surfaces on the body with unleaded petrol.
- (2) Peel off the backing paper from the reverse side of the marks, and then attach the marks to the vehicle body so that they fit properly into position.

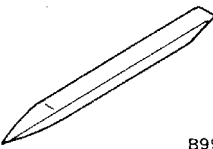
Caution

When attaching the marks, the surrounding temperature should be 20 – 38 °C and the air should be completely free from dust.

If the surrounding temperature is lower than 20 °C, the marks and the places on the body where the marks are to be attached should be heated to 20 – 38 °C.

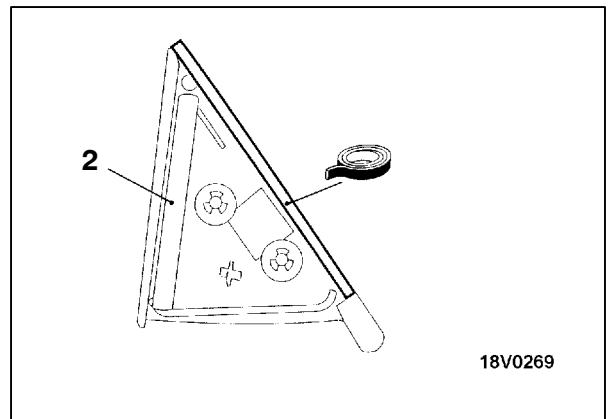
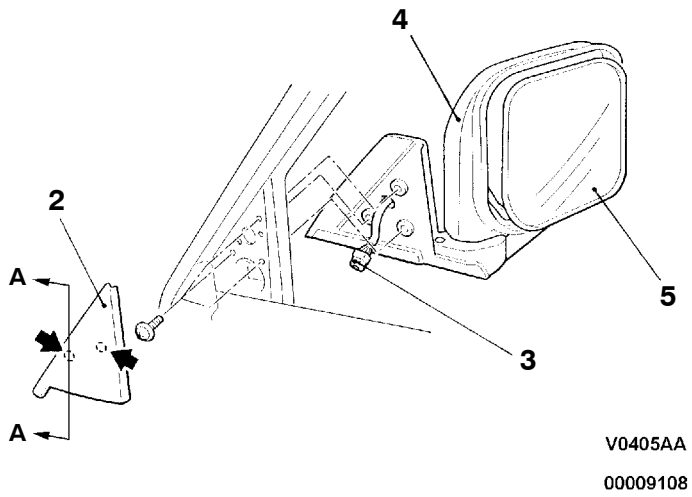
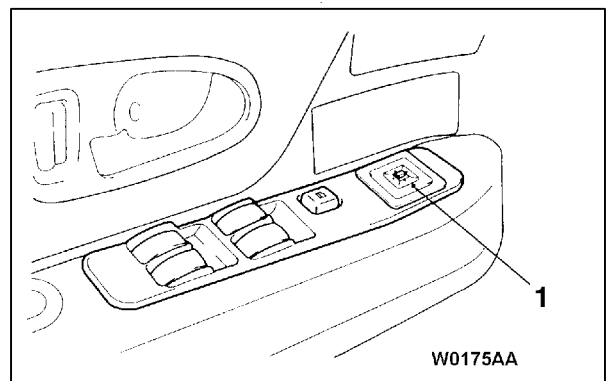
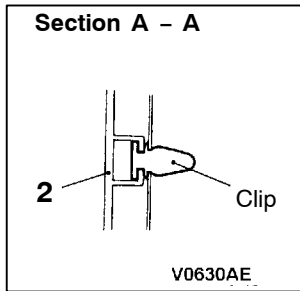
**DOOR MIRROR
SPECIAL TOOL**


5110060255

Tool	Number	Name	Use
	MB990784	Ornament remover	Remote controlled mirror switch removal

**DOOR MIRROR
REMOVAL AND INSTALLATION**

51100640152

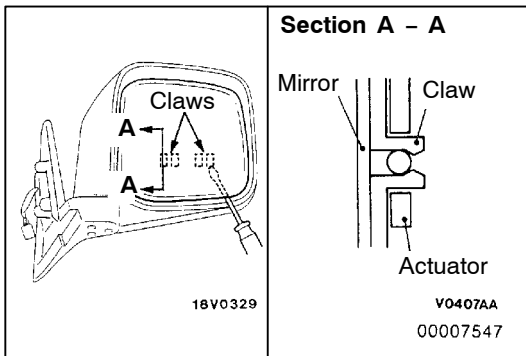


NOTE
 : Resin clip position

Adhesive tape:
 Double-sided tape [5 mm width and 0.4 mm thickness]

- 1. Remote controlled mirror switch
- Door mirror removal steps**
- 2. Delta cover, inner
- 3. Harness connector <Vehicle with remote controlled mirror>
- 4. Door mirror assembly
- 5. Mirror

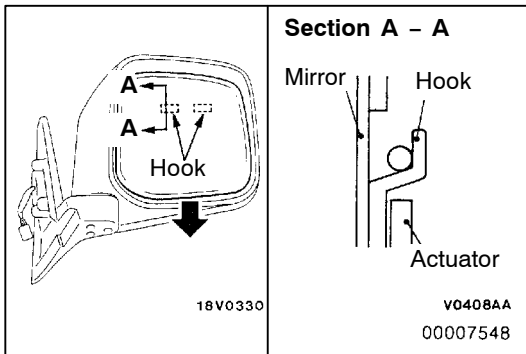




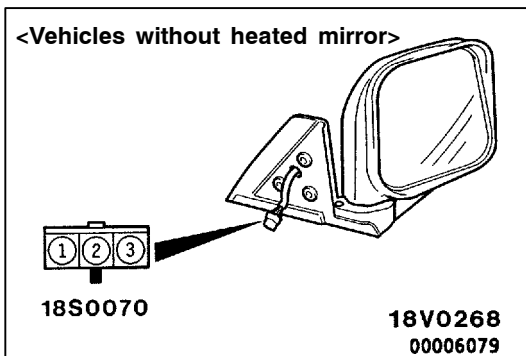
REMOVAL SERVICE POINT

◀A▶ MIRROR REMOVAL

1. Tilt the mirror upward by hand, insert a flat-tipped screwdriver onto which protective tape has been wound, and then pry the claws off of the actuator.



2. Pull the mirror downward to release the hooks.



INSPECTION

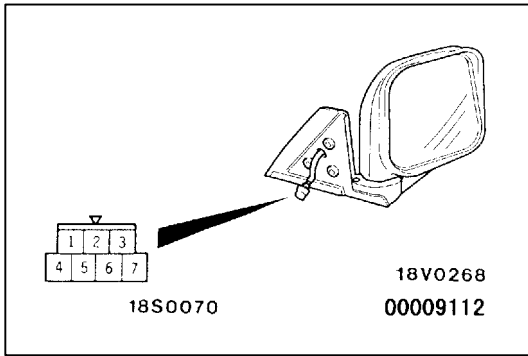
51100650162

REMOTE CONTROLLED MIRROR ASSEMBLY CHECK

<Vehicles without heated mirror>

Check to be sure that the mirror moves as described in the table when each terminal is connected to the battery.

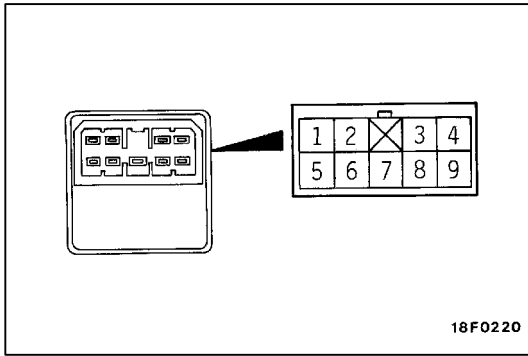
Battery connection terminal			Direction operation
1	2	3	
⊖		⊕	UP
⊕		⊖	DOWN
⊖	⊕		RIGHT
⊕	⊖		LEFT



<Vehicles with heated mirror>

1. Check to be sure that the mirror moves as described in the table when each terminal is connected to the battery.
2. Check if there is continuity between terminals (1) and (2).

Battery connection terminal					Direction operation
5	6	7	1	4	
⊖	—	⊕	Printed heating wire		UP
⊕	—	⊖			DOWM
⊖	—	⊕			RIGHT
⊕	—	⊖			LEFT



REMOTE CONTROLLED MIRROR SWITCH CONTINUITY CHECK

51101350108

Switch position		Terminal No.						
		2	3	4	6	7	8	9
Left side	UP			○	○	○	○	
	DOWN			○	○	○	○	
	LEFT		○	○	○	○		
	RIGHT		○	○	○	○		
Right side	UP	○		○	○	○		
	DOWN	○		○	○	○		
	LEFT			○	○	○		○
	RIGHT			○	○	○		○

**SWITCH AND RELAY OF DOOR MIRROR PRINTED
HEATING WIRE CHECK**

51101360033

The printed heating wire of the door mirror operates in conjunction with the rear window defogger.

The switch and relay are used for the rear window defogger also, so refer to GROUP 54 for inspection service points.

NOTES