

Lower Control Arm Replacement

Special Tools

EN-45059 Torque Angle Sensor Kit

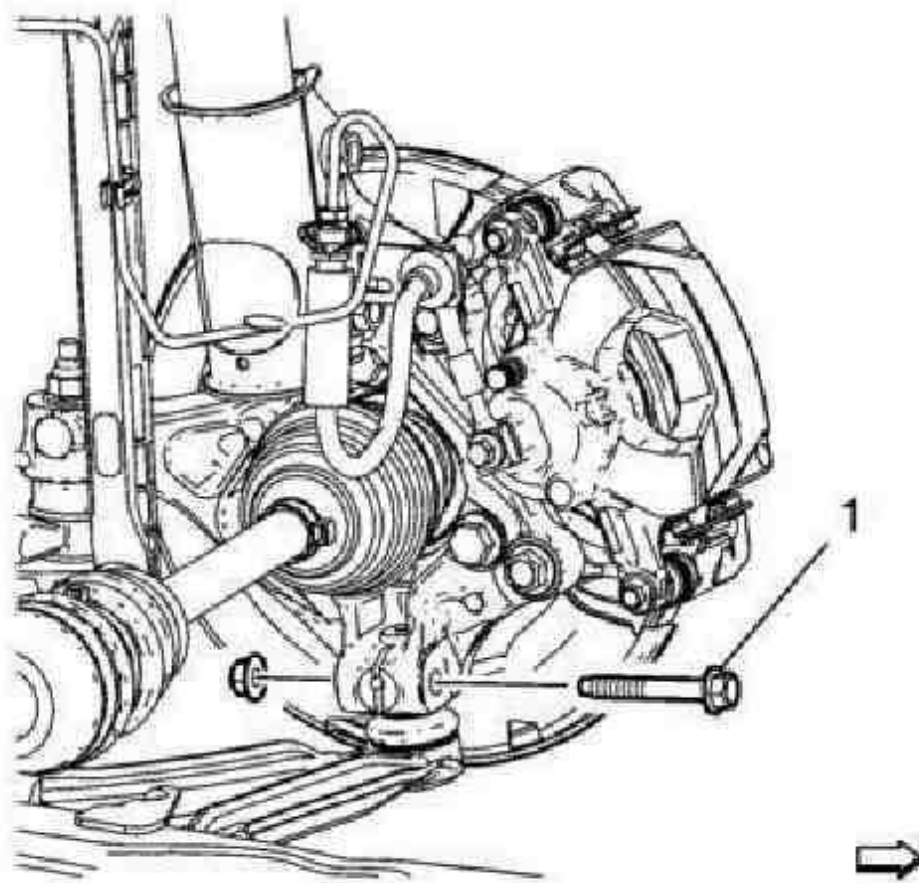
For equivalent regional tools, refer to [Special Tools](#).

Removal Procedure

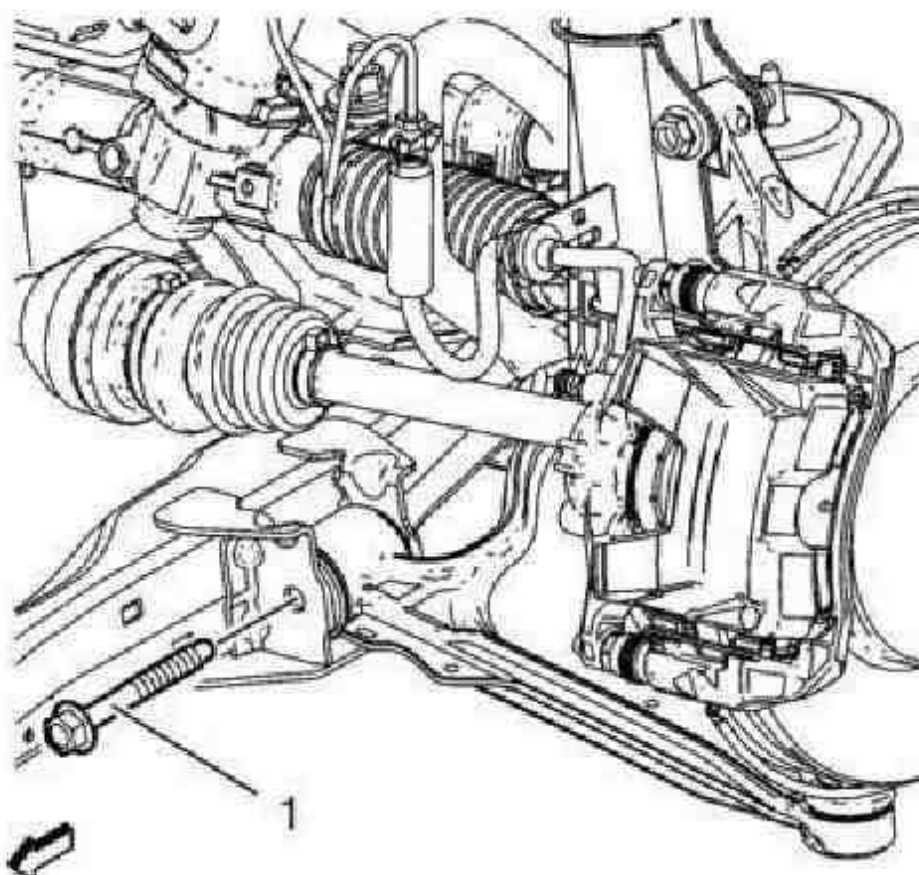
1. Raise and support the vehicle. Refer to [Lifting and Jacking the Vehicle](#) : [OPC Line Pack 1](#) → [Standard](#).
2. Remove the tyre and wheel. Refer to [Tyre and Wheel Removal and Installation](#).

Note: DO NOT re-use the lower control arm bolts and nuts. Discard and use NEW only.

3. Remove wheel speed sensor wiring harness from control arm and steering knuckle.



4. Remove and DISCARD the lower ball joint to knuckle nut and bolt (1).
5. Separate the lower control arm from the knuckle.



6. Remove and DISCARD the front lower control arm nut and bolt (1).