

**MONTERO**

**Service  
Manual  
1984**





# Service Manual

# MONTERO

## 1984

### FOREWORD

This Service Manual has been prepared with the latest service information available at the time of publication. It is subdivided into various group categories and each section contains diagnosis, disassembly, repair, and installation procedures along with complete specifications and tightening references. Use of this manual will aid in properly performing any servicing necessary to maintain or restore the high levels of performance and reliability designed into these outstanding vehicles.

**WE SUPPORT  
VOLUNTARY TECHNICIAN  
CERTIFICATION  
THROUGH**



Mitsubishi Motors Corporation reserves the right to make changes in design or to make additions to or improvements in its products without imposing any obligations upon itself to install them on its products previously manufactured.

### GROUP INDEX

—	Introduction .....	
0	Lubrication and Maintenance .....	
2	Front Suspension .....	
3	Rear Axle .....	
5	Brakes — Service and Parking .....	
6	Clutch .....	
7	Cooling .....	
8	Electrical System .....	
9	Engine .....	
11	Exhaust System .....	
13	Body and Frame Alignment .....	
14	Fuel System .....	
16	Propeller Shaft and Universal Joints .....	
17	Rear Suspension .....	
19	Steering — Power .....	
21	Transmission — Manual Automatic .....	
22	Wheels and Tires .....	
23	Body and Sheet Metal .....	
24	Heaters and Air-conditioning .....	
25	Emission Control Systems .....	

Alphabetical Index



**INTRODUCTION**

This publication contains the essential removal, installation, adjustment and maintenance procedures for servicing all Body Styles. This information is current as of time of publication.

**INDEX**

The preceding page contains a table of contents which lists the group number, group title and symbol of each group. The symbol is also located at the left or right top of each page.

**GROUP INDEX**

The first page in each group has an index to the subjects included in that group.

**PAGE NUMBERS**

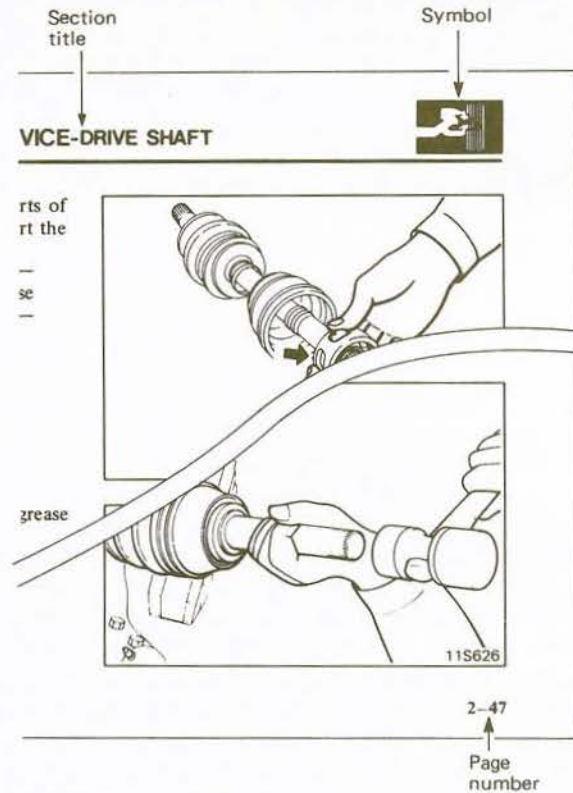
All page numbers consist of two sets of digits separated by a dash. The digits preceding the dash identify the number of the group. The digits following the dash represent the consecutive page number within the group. The page numbers can be found on the lower left or right of each page.

**TEXT**

1. This manual contains essential procedures for removal, disassembly, inspection, reassembly and installation. For reassembly and installation, reverse the order of disassembly and removal procedures respectively, paying attention to the key points.
2. Unless otherwise specified, each service procedure covers all models. Procedures covering specific models are identified by the model codes, destination or similar designation. A description of these designations is covered in this unit under "VEHICLE IDENTIFICATION".

**ILLUSTRATIONS**

Illustrations are placed abreast the text. If two or more texts are paired with one illustration, the illustration number at lower right corner of the illustration is given in ( ) at the end of the more pertinent text for reference.



**DEFINITION OF TERMS**

**Standard Dimensions or Values**

Design dimensions or values or finished dimensions after adjustment of part.

**Service Limit**

The allowable limitation of wear, bends, deformation or other damage which restricts the use of parts due to poor performance or insufficient strength.

**Repair Limit**

The limitation of wear, deterioration or functional decline of parts at which correction or adjustment is required to maintain their performance in use.

**SPECIAL TOOLS**

Some of the special tools which appear in this Manual are either not available in the United States, or have been modified or replaced. If the tool pictured on the "Special Tools" page at the beginning of each section has an "\*", it has been modified or replaced. Refer to the Mitsubishi Motors special tool catalog, MSSP-3G-TC, check the numerical index and refer to the indicated page number for illustration, description and application. If it is not listed in the numerical index, refer to the replacement/interchange list for an illustration and description of the new tool.

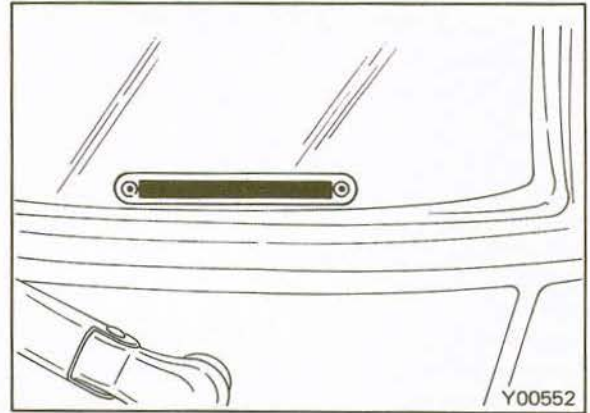
If the pictured tool has a "D", it has been deleted, and is not available in the U.S.

# VEHICLE IDENTIFICATION



## VEHICLE IDENTIFICATION NUMBER PLATE LOCATION

The vehicle identification number (V.I.N.) plate is located on the left top side of the instrument panel and it is visible through the windshield.



## VEHICLE IDENTIFICATION NUMBER CODE CHART

All vehicle identification numbers contain 17 digits. The vehicle number is a code which tells country, make, vehicle type, line, etc.



1st digit	2nd digit	3rd digit	4th digit	5th digit	6th digit	7th digit	8th digit	9th digit	10th digit	11th digit	12th digit	13th thru 17th digit
Country	Make	Vehicle type		Line	Series	Body	Engine	Check digit	Model year	Plant	Transmission	Serial number
J- Japan	A- Mitsubishi	4- Multi- purpose vehicle (MPV)	F- 4001 lbs. or more with hydraulic brakes	J- MONTERO	4- High 5- Premium	2- 2-door canvas- top 3- 2-door metal- top	E- 2.6 liters (155.9 C.I.D.)	0 1 2 3 . . . 9 X	E- 1984 year	Y- Nagoya	4- 5-speed 49 states 5- 5-speed California* 7-A/T 49 states 8-A/T California*	00001 to 99999

**NOTE** Digit in position 9 is used for V.I.N. verification.  
\*Can also be sold in Federal States.



## VEHICLE IDENTIFICATION

### VEHICLE IDENTIFICATION NUMBER LIST

V. I. N. (except serial number)	Brand (Package)	Destination	Engine displacement	Model code
JA4FJ42E□EY4 JA4FJ42E□EY5 JA4FJ52E□EY4 JA4FJ52E□EY5 JA4FJ43E□EY4 JA4FJ43E□EY5 JA4FJ43E□EY7 JA4FJ43E□EY8 JA4FJ53E□EY4 JA4FJ53E□EY5 JA4FJ53E□EY7 JA4FJ53E□EY8	MONTERO	Federal California* Federal California* Federal California* Federal California* Federal California*	2.555 liters (155.9 C. I. D.)	L042GNJLF L042GNJLH L042GNULF L042GNULH L042GVNJLF L042GVNJLH L042GVKJLF L042GVKJLH L042GVNULF L042GVNULH L042GVKULF L042GVKULH

\*Can also be sold in Federal States.

# VEHICLE IDENTIFICATION



## CHASSIS NUMBER

### Stamping Location

The chassis number is stamped on the side of the frame near the right rear shock absorber.

### Chassis Number Code Chart

L 0 4 2 G V D Y 4 0 0 0 0 1

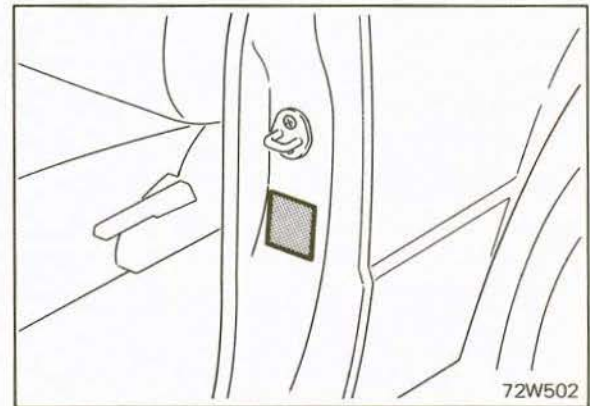
Vehicle line	Engine displacement	Body type	
L04-MONTERO	2-2.555 liters (155.9 C.I.D.)	G-2-door canvas-top GV-2-door metal-top	Refer to 10th thru 17th digits of V.I.N. plate



## VEHICLE SAFETY CERTIFICATION LABEL

The vehicle safety certification label is attached to face of left door pillar. (72W502)

This label indicates the month and year of manufacture, Gross Vehicle Weight Rating (G.V.W.R.), front and rear Gross Axle Weight Rating (G.A.W.R.), and Vehicle Identification Number (V.I.N.).



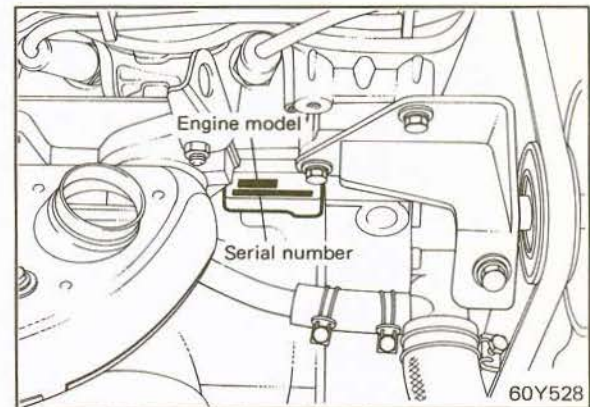
## ENGINE MODEL STAMPING

The engine model number is stamped at the right front side on the top edge of the cylinder block as shown in the following:

Engine model	Engine displacement
G54B	2.555 liters (155.9 C.I.D.)

The engine serial number is stamped near the engine model number, and the serial number cycles, as shown below.

Engine serial number	Number cycling
AA0201 to YY9999	AA0201 - - - -> AA9999
	AB0001 - - - -> AY9999
	BA0001 - - - -> YY9999





## VEHICLE IDENTIFICATION

### ENGINE AND TRANSMISSION MODEL

Vehicle model	Engine model	Transmission model
L042GNJLF L042GNJLH L042GNULF L042GNULH L042GVNJLF L042GVNJLH L042GVNULF L042GVNULH	G54B	KM145-O-THQ
L042GVKJLF L042GVKJLH L042GVKULF L042GVKULH	G54B	KM146

### BODY COLOR CODE

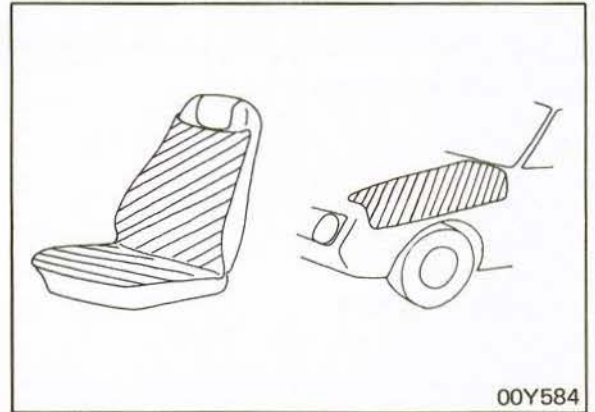
Exterior code	Body color
Two-tone	
B93B91X13	Black/Light blue (Metallic)
C38C19X13	Black/Brown (Metallic)
H74H80X13	Black/Silver (Metallic)
R79R78X13	Black/Red
W44W42X13	Black/White
X04X21H80	Velvet black/Silver (Metallic)





**PROTECTING THE VEHICLE**

If there is a likelihood of damaging painted or interior parts during service operations, protect them with suitable covers (such as seat covers, etc.).



**REMOVAL AND DISASSEMBLY**

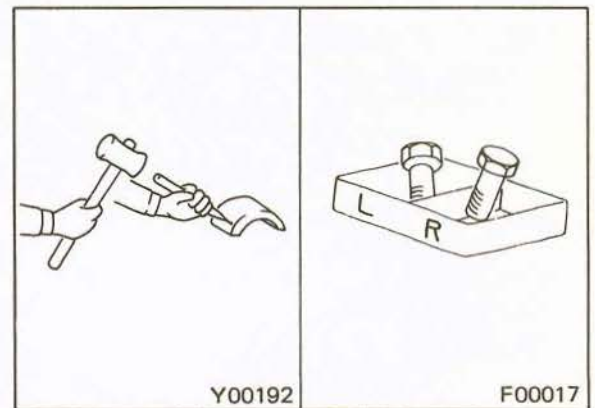
When checking a malfunction, find the cause of the problem. If it is determined that removal and/or disassembly is necessary, perform the work by following the procedures contained in this Service Manual.



If punch marks or mating marks are made to avoid error in assembly and facilitate the assembly work, be sure to make them in locations which will have no detrimental effect on performance and/or appearances.

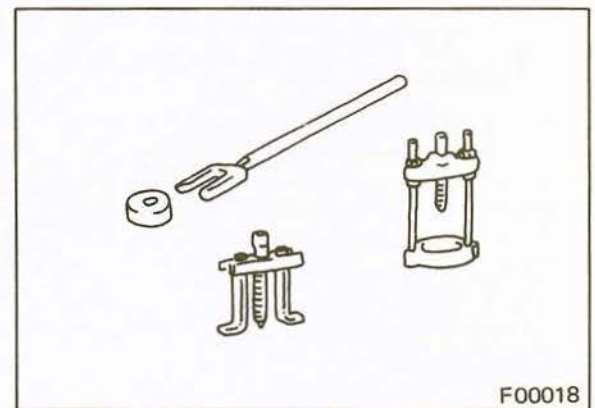
If an area having many parts, similar parts, and/or parts which are symmetrical right and left is disassembled, be sure to arrange the parts so that they do not become mixed during the assembly process.

1. Arrange the parts removed in the proper order.
2. Determine which parts are to be reused and which are to be replaced.
3. If bolts, nuts, etc., are to be replaced, be sure to use only the exact size specified.



**SPECIAL TOOLS**

If other tools are substituted for the special tools to do service or repair work, there is the danger that vehicle parts might be damaged, or the mechanic might be injured; therefore, be sure to use the special tool whenever doing any work for which the use of one is specified.



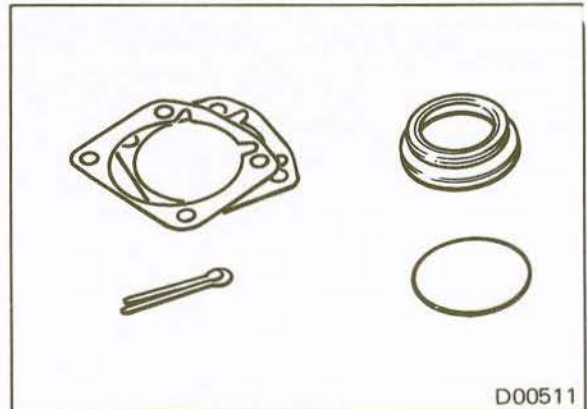


## PRECAUTIONS BEFORE SERVICE

### PARTS TO BE REPLACED

If any of the following parts are removed, they must be replaced with new parts.

1. Oil seals
2. Gaskets
3. Packings
4. O-rings
5. Lock washers
6. Cotter pins
7. Self-locking nuts



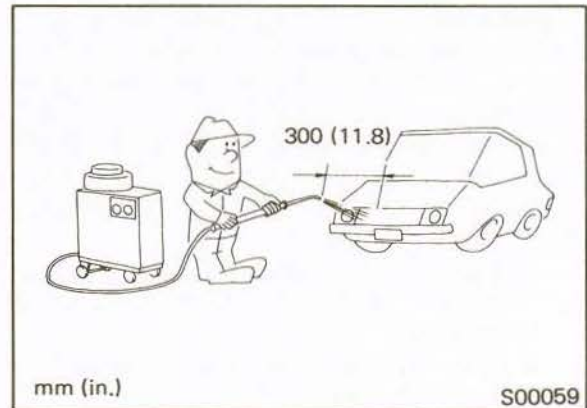
### PARTS

When replacing parts, use Mitsubishi genuine parts.



### VEHICLE WASHING

If high-pressure car-washing equipment or steam car-washing equipment is used to wash the vehicle, be sure to maintain the spray nozzle at a distance of at least 300 mm (11.8 in.) from any plastic parts and all opening parts (doors, luggage compartment, sunroof, etc.).



### SERVICING THE ELECTRICAL SYSTEM

When servicing the electrical system, disconnect the negative cable terminal from the battery.

#### Caution

Before connecting or disconnecting the negative cable, be sure to turn off the ignition switch and the lighting switch. (If this is not done, there is the possibility of semi-conductor parts being damaged.)

