



1992-1995 MONTERO

Service Manual

Electrical

Service Manual

MONTERO

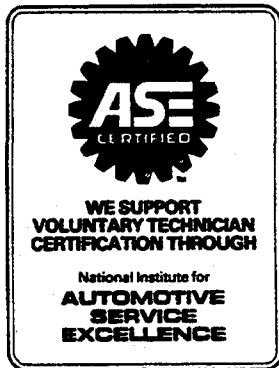
1992-1995

Volume 2

Electrical

FOREWORD

This Service Manual has been prepared with the latest service information available at the time of publication. It is subdivided into various group categories and each section contains diagnosis, disassembly, repair, and installation procedures along with complete specifications and tightening references. Use of this manual will aid in properly performing any servicing necessary to maintain or restore the high levels of performance and reliability designed into these outstanding vehicles.



Mitsubishi Motors Corporation reserves the right to make changes in design or to make additions to or improvements in its products without imposing any obligations upon itself to install them on its products previously manufactured.

GROUP / SECTION INDEX

110005870

General	
Fusible Link, Fuse and IOD or Storage Connector Location	
Inspection Terminal Location	
Grounding Location	
Relay Location	
Control Unit Location	
Sensor Location	
Solenoid, Solenoid Valve Location	
Diode Location	
Harness Connector Inspection	
How to Diagnose	
Configuration Diagrams	
Circuit Diagrams	
Engine Electrical	16
Chassis Electrical	54
Alphabetical Index	

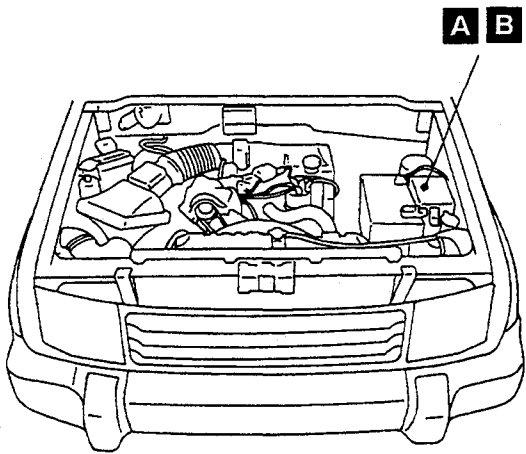
NOTE

For Engine, Chassis & Body, refer to Volume 1 - Engine, Chassis & Body.

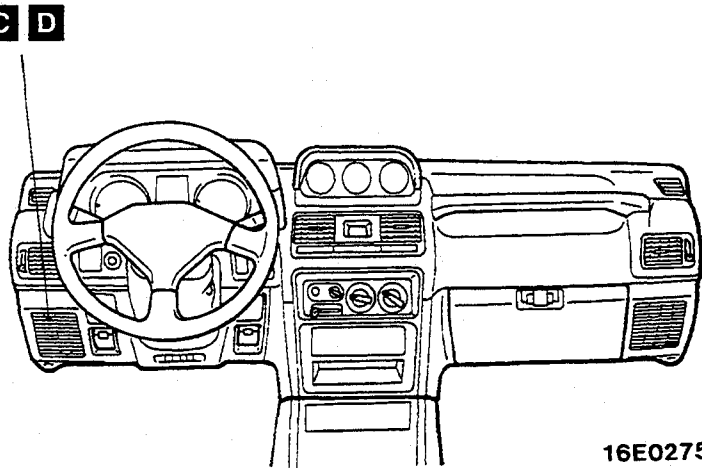
FUSIBLE LINK, FUSE AND IOD OR STORAGE CONNECTOR LOCATION

110005871

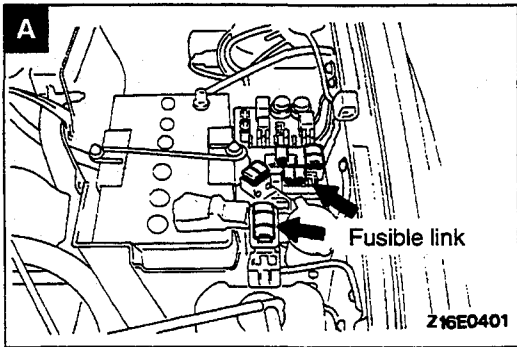
Name	Symbol	Name	Symbol
Dedicated fuse No. 2, 3, 5, 7 and 8	B	IOD or storage connector	B
Dedicated fuse No. 9	D	Multi-purpose fuse	C
Fusible link	A	—	—



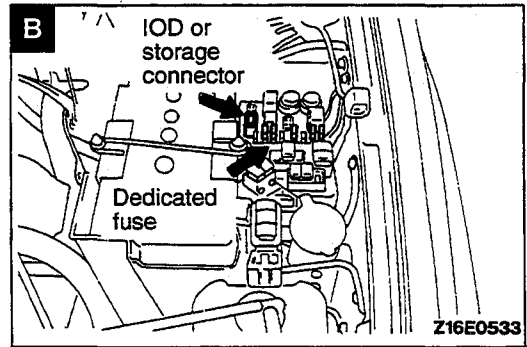
16E0128



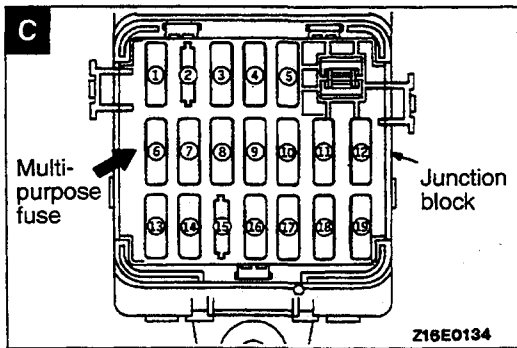
16E0275
00002510



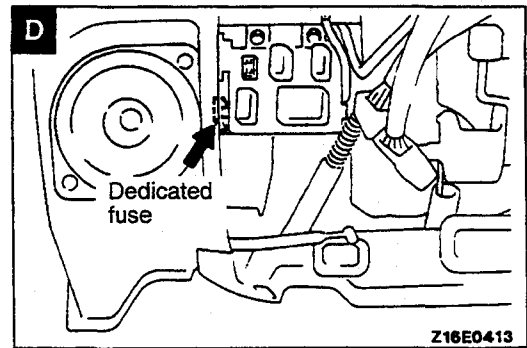
Z16E0401



Z16E0533



Z16E0134



Z16E0413

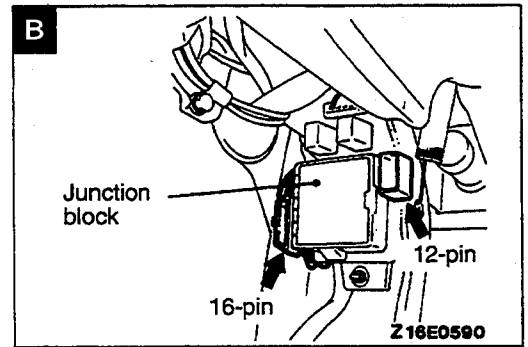
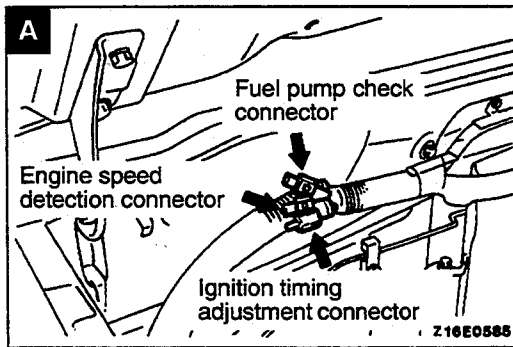
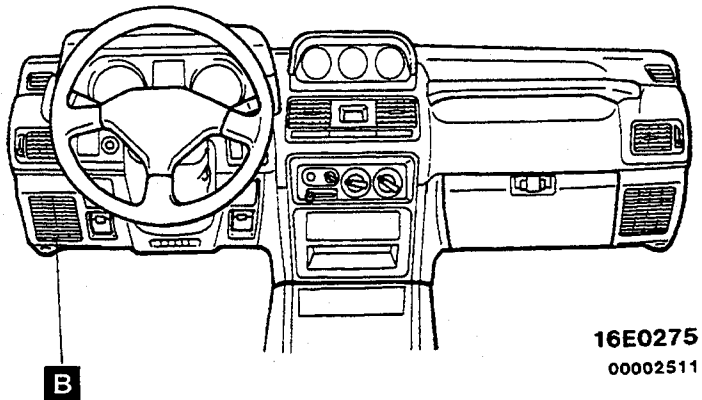
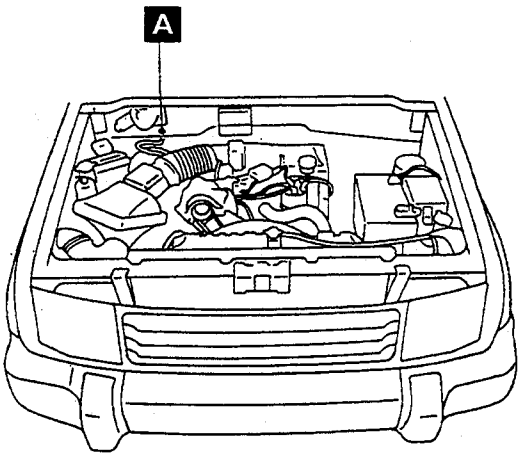
INSPECTION TERMINAL LOCATION

110005872

Name	Symbol	Name	Symbol
Data link connector	B	Fuel pump check connector	A
Engine speed detection connector <3.0L – 24 VALVE engine, 3.5L engine>	A	Ignition timing adjustment connector	A

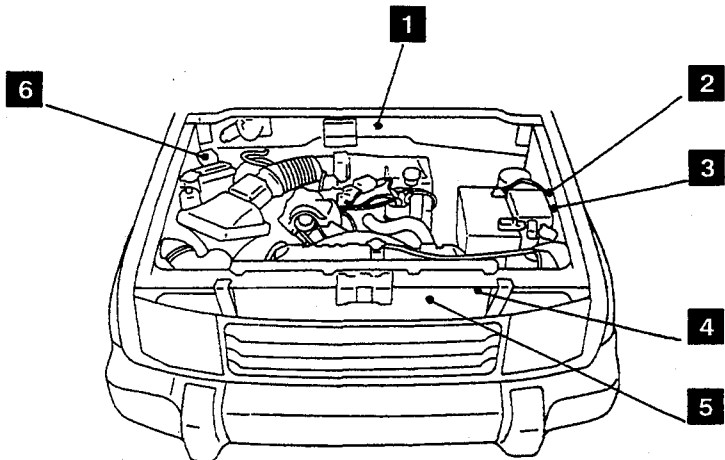
NOTE

The "Name" column is arranged in alphabetical order.

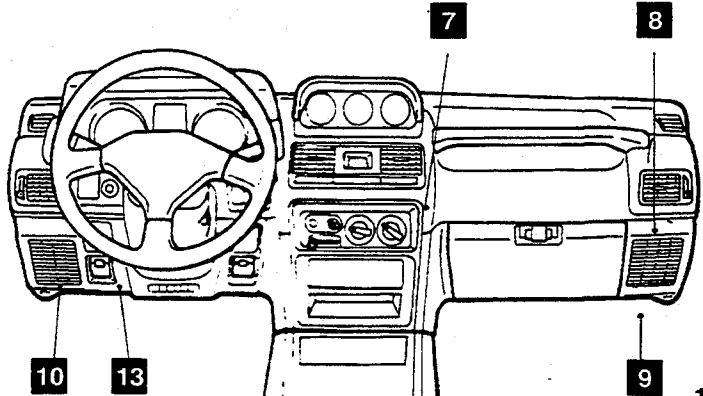


GROUNDING LOCATION

110005873

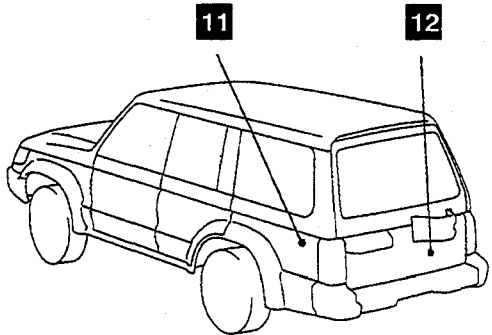


16E0128

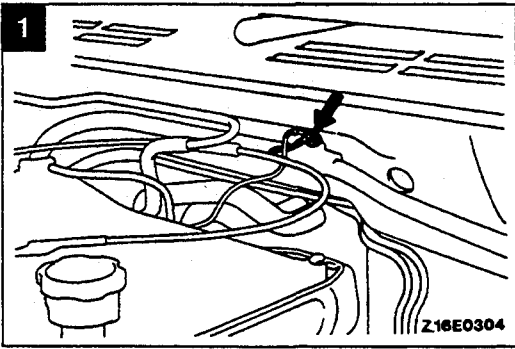


16E0275

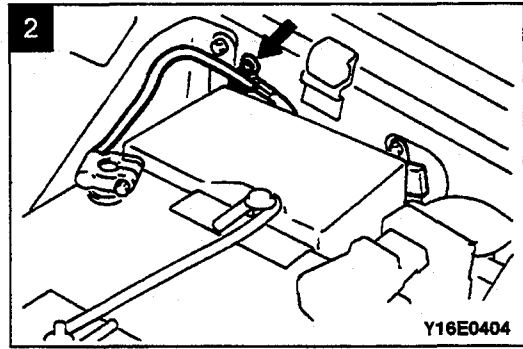
NOTE
Same ground numbers are used in the circuit diagram.



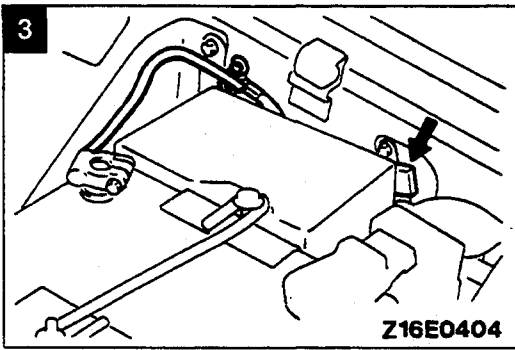
18E0004
00002512



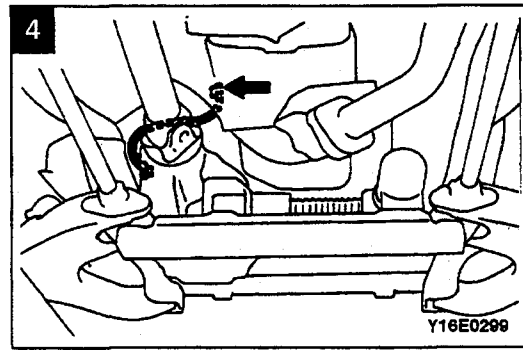
Z16E0304



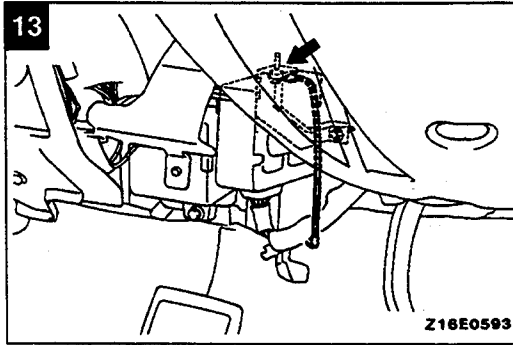
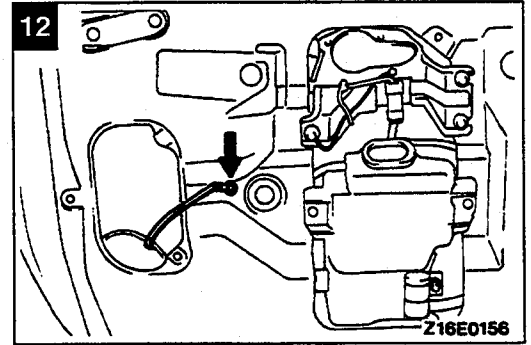
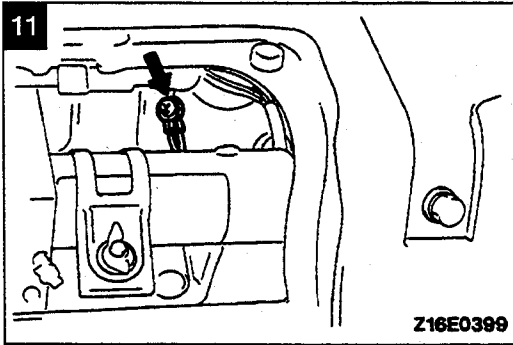
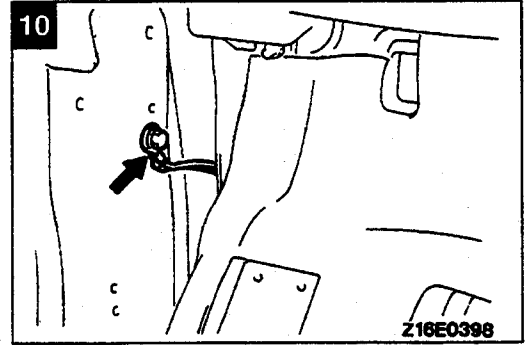
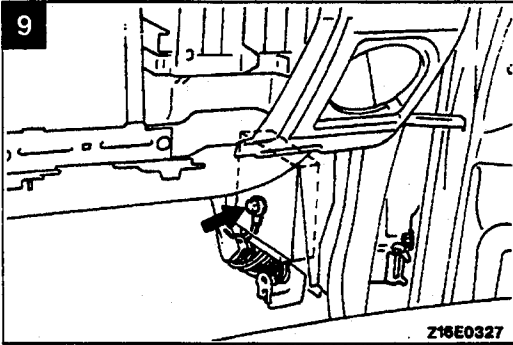
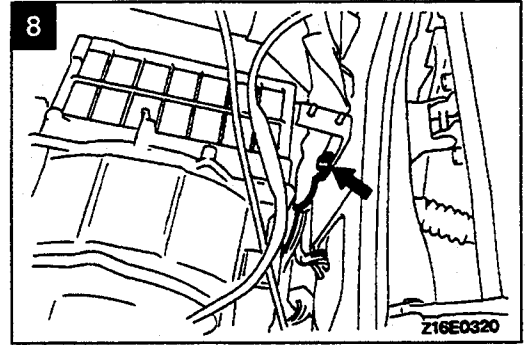
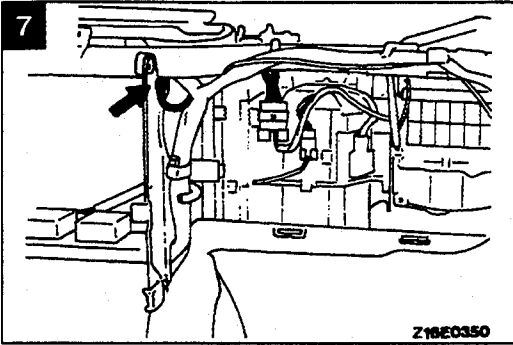
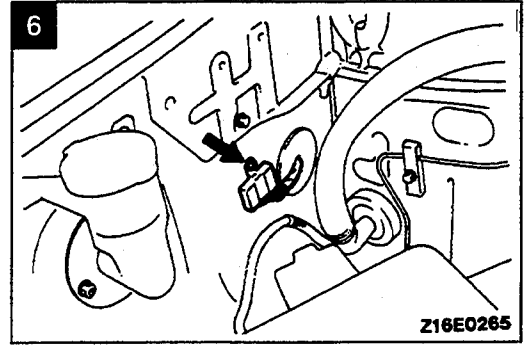
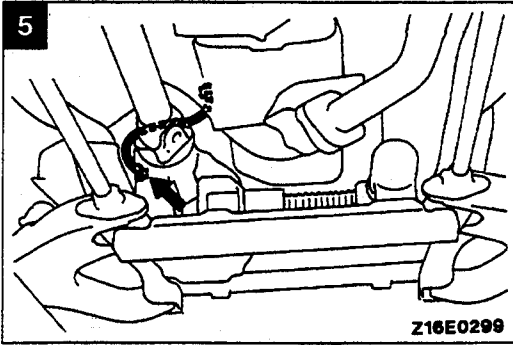
Y16E0404



Z16E0404



Y16E0299



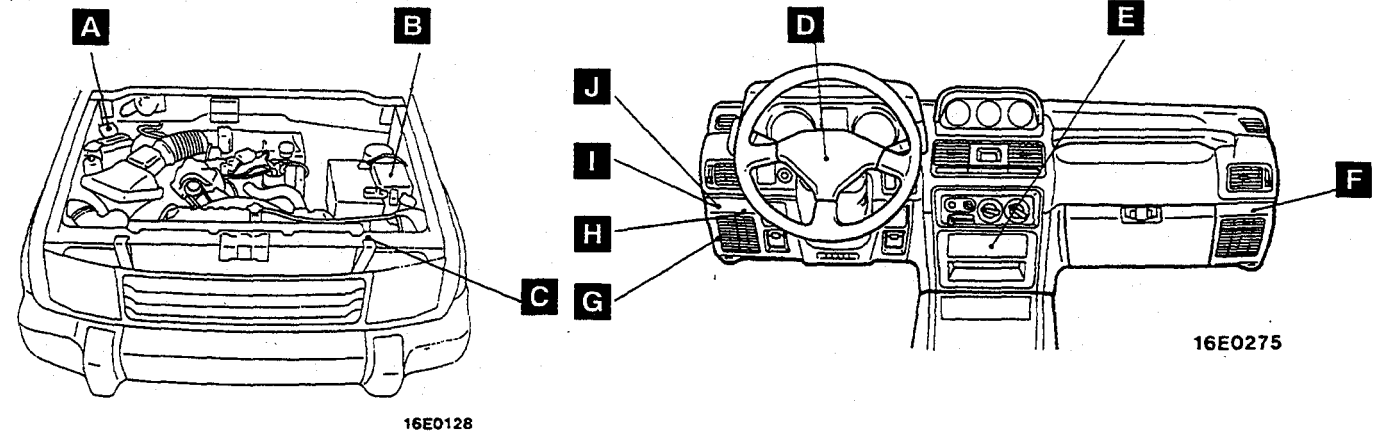
RELAY LOCATION

110005874

Name	Symbol	Name	Symbol
ABS motor relay	A	Headlight relay	B
ABS power relay*1	E	Headlight washer relay	I
ABS relay box (with built-in motor relay and valve relay) *3	A	Horn relay *2	C
ABS valve relay	A	Ignition key hole illumination light timer *2	E
A/C compressor relay	B	Intermittent wiper relay (windshield wiper)	D
Accessory socket relay	G	Intermittent wiper relay (rear wiper)	H
Blower motor relay	G	Overdrive relay	H
Condenser fan motor relay	B	Power seat relay box *2	K
Defogger relay	I	Power window relay	H
Defogger timer	J	Starter relay	E
Door lock relay	H	Tail light relay	B
Engine control relay	F	Turn and hazard flasher unit	H
Generator relay	B	—	—

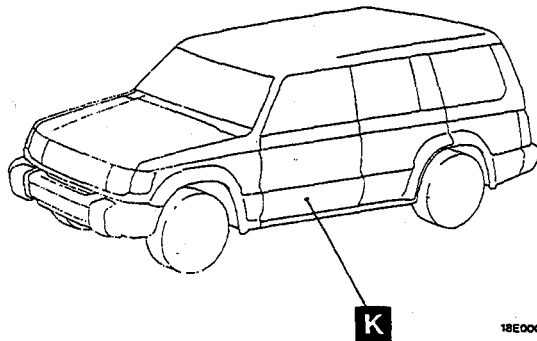
NOTE

- (1) *1: Up to 1993 models
- (2) *2: 1994 models and after
- (3) *3: 1995 models and after
- (4) The "Name" column is arranged in alphabetical order.



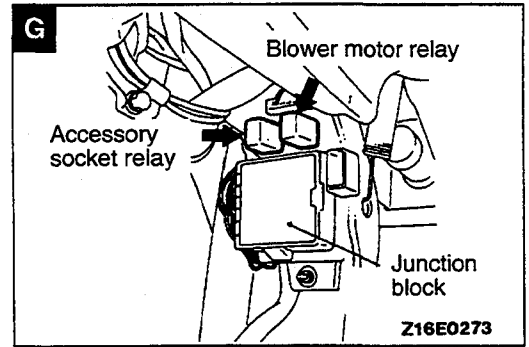
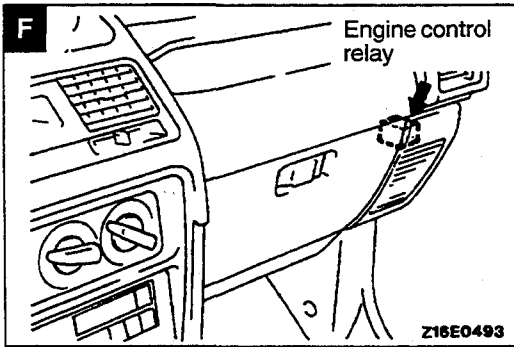
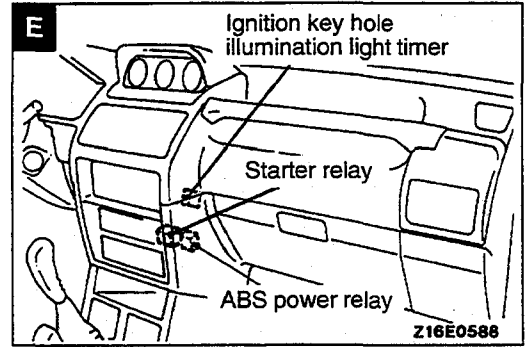
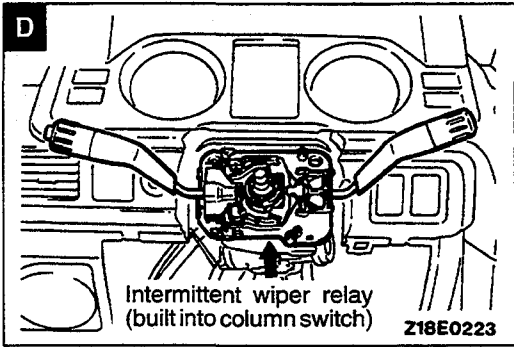
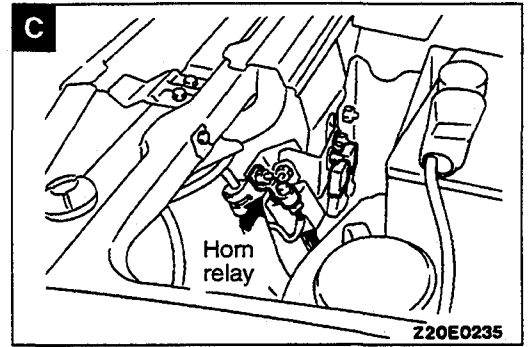
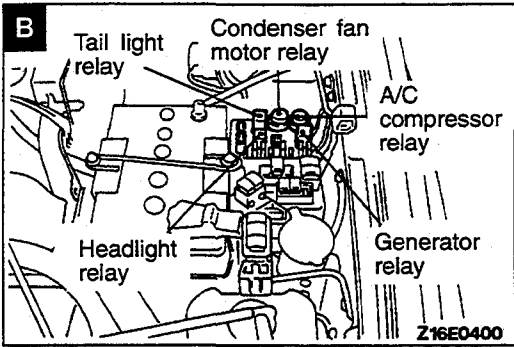
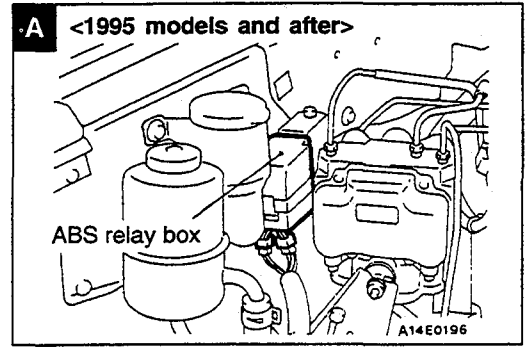
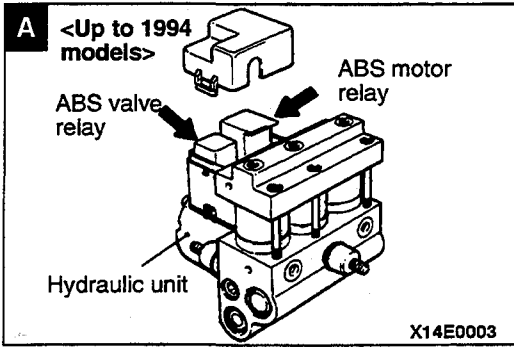
16E0128

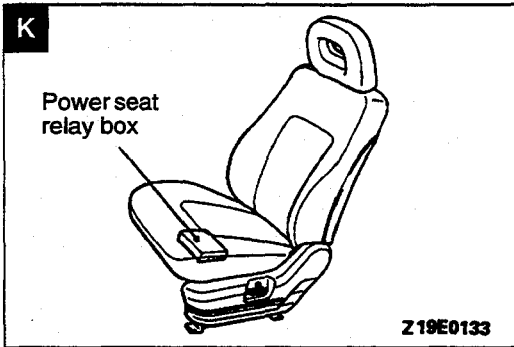
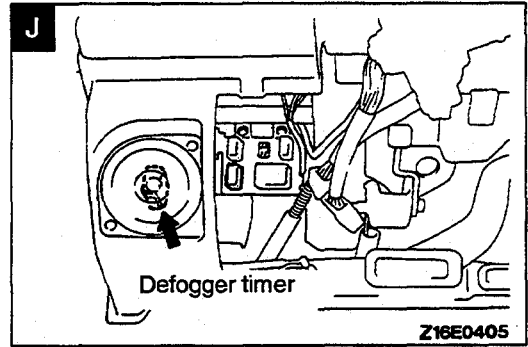
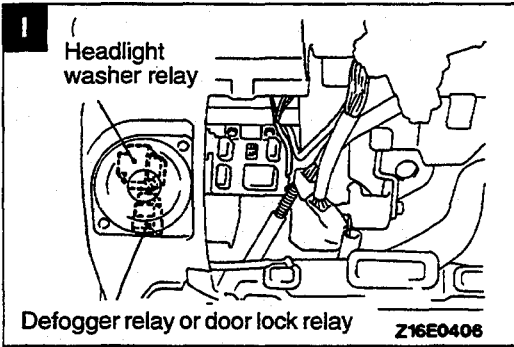
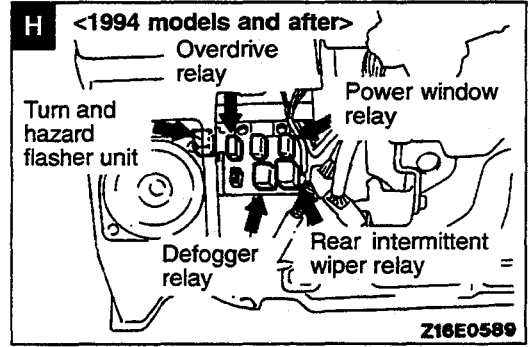
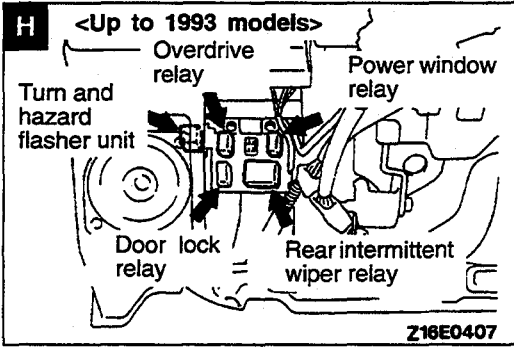
16E0275



18E0003

00002513





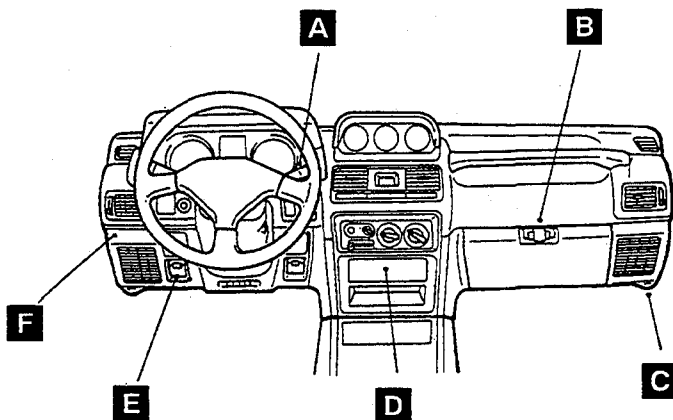
CONTROL UNIT LOCATION

110005875

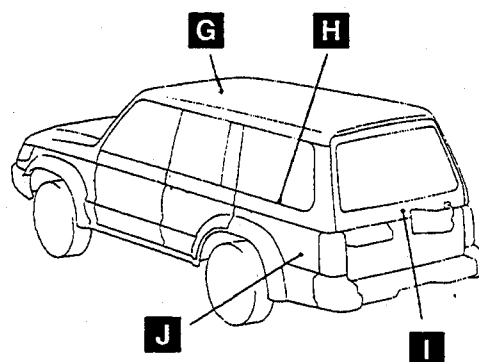
Name	Symbol	Name	Symbol
ABS control unit	I	Keyless entry control unit*	I
A/C control unit	B	Motor antenna control unit	D
Cruise control unit	A	Rear differential lock control unit	H, J*
Door lock control unit*	F	SRS diagnosis unit*	D
ELC 4-speed automatic transmission control module <3.0L – 24 VALVE engine, 3.5L engine>	E	Sunroof control unit	G
		Variable shock absorber control unit	J
Engine control module	C	4WD indicator control unit	D

NOTE

- (1) *: 1994 models and after
- (2) The "Name" column is arranged in alphabetical order.



16E0275



18E0004

00002514

